

The City of Potterville Tax Increment Finance Authority

Potterville City Hall, 319 N. Nelson Street – (517) 645-7641 – [www.pottervillemi.org](http://www.pottervillemi.org)

---

TIFA MEETING AGENDA

Monday, March 11<sup>th</sup> 2024 at 6:00 p.m.

**A. Call the Meeting to Order:**

**B. Pledge of Allegiance:**

**C. Roll Call:** Members Bob Nichols, Brian Goodman, Joseph Bristol Jr., Judy Lenneman, Jon McNett, Elizabeth Ross, Ronald Norman.

1. Members Present: \_\_\_\_\_
2. \_\_\_\_\_
3. Members Absent: \_\_\_\_\_
4. \_\_\_\_\_

**D. Agenda Approval:**

**E. Approval of Minutes:**

1. Draft Meeting Minutes from January 8<sup>th</sup> 2024

**F. Approval of Bills:** \$10,192.08

**G. Public Comment:** Items on the Agenda.

**H. Old Business:** None.

**I. New Business:**

1. Law Enforcement Vehicle Replacement Capital Outlay
2. TIFA 2023-2024 Fiscal Budget Amendment Hearing
3. TIFA 2023-2024 Fiscal Budget Amendments

**J. Public Comment:** Items not on the Agenda.

**K. Communications from Board Members:**

**L. Next Meeting:** April 18<sup>th</sup> 2024 at 6:00 p.m.

**M. Administrative Report:** In attendance.

**N. Excuse absent Members:**

**O. Meeting Adjourn:**

**Potterville TIFA Board Minutes**

Monday, February 12, 2024 @ 6:00 p.m. – Potterville City Hall, 319 N. Nelson Street

---

Meeting was called to order by B. Nichols at 6:00 p.m.

Pledge of Allegiance was recited by all.

**Roll Call:** **Present:** B. Nichols, J. Bristol, L. Ross, B. Goodman J. McNett, R. Norman, and J. Lenneman.  
**Absent:** N/A

**Agenda Approval:** Motion by Member Ross to approve the agenda, seconded by Member Norman. Motion carried (7-0-0).

**Approval of Minutes:** Motion by Member Goodman to approve the minutes from January 8, 2024, seconded by Member Lenneman. Motion carried (7-0-0).

**Approval of Bills:** Motion by Member Norman to pay bills totaling \$1,083.34, seconded by Member Ross. Motion carried (7-0-0).

**Public Comment:** N/A

**Old Business:** N/A

**New Business:**

1. Lansing Road Sidewalk – Phase III Project Bid and Contract: Director shares - Great Bid turnout, engineer provided 6 qualified, 1 lowest from same contractor as other sidewalk phases. Motion by Member Bristol to accept Iron Horse as lowest bidder, approve contract, and provide to contractor, seconded by Member Lenneman. Motion carried (7-0-0).

**Public Comment:** N/A

**Communications from Board:** Member Norman – thanks for voting! Spoke with Eaton County Drain Commission, meeting last Thursday. They said maybe Fall but most likely ambitious.

**Next Meeting:** Monday, March 11, 2024 at 6:00 p.m.

**Administrative Report:** N/A

**Motion to Excuse Absent Members:** N/A

**Motion to Adjourn:** Meeting adjourned by Member Nichols at 6:22 p.m.

Respectfully submitted,  
Kayla Schwartz, TIFA Secretary

Approved by TIFA Board \_\_\_\_\_, 2024

03/04/2024 09:16 AM  
User: JWest  
DB: Potterville

BANK RECONCILIATION FOR CITY OF POTTERVILLE  
Bank TIFA (TIFA)  
FROM 02/01/2024 TO 02/29/2024  
Reconciliation Record ID: 238

GL Number	Description	Beginning Balance
247-000-001.000	CASH	121,905.50
247-000-003.000	CASH-CERTIFICATES OF DEPOSIT	170,000.00
Beginning GL Balance:		291,905.50
Less: Cash Disbursements		(1,083.34)
Add: Journal Entries/Other		90.99
Ending GL Balance:		290,913.15

GL Number	Description	Ending Balance
247-000-001.000	CASH	120,913.15
247-000-003.000	CASH-CERTIFICATES OF DEPOSIT	170,000.00
Ending GL Balance:		290,913.15
Ending Bank Balance:		290,913.15
Add: Deposits in Transit		0.00
Less: 0 AP Outstanding Checks		
Less: 0 PR Outstanding Checks		
Adjusted Bank Balance		290,913.15
Unreconciled Difference:		0.00

REVIEWED BY: \_\_\_\_\_ 

DATE: 3-4-24

INVOICE NUMBER	DESCRIPTION	AMOUNT
VENDOR NAME: CITY OF POTTERVILLE		
OFFICE 23-24	ANNUAL FEE FOR USE OF CHAMBERS, PAPER, COMPUTER, ETC...	1,000.00
TOTAL VENDOR CITY OF POTTERVILLE		1,000.00
VENDOR NAME: INDEPENDENT BANK		
BOND INT 24	TIFA 2013 TAX INCREMENT BONDS INTEREST	7,091.25
TOTAL VENDOR INDEPENDENT BANK		7,091.25
VENDOR NAME: JODI WEST		
MARCH 24	FINANCIAL DUTIES MONTH OF MARCH 2024	333.33
TOTAL VENDOR JODI WEST		333.33
VENDOR NAME: KAYLA SCHWARTZ		
MARCH 24	SECRETARIAL DUTIES MONTH OF MARCH 2024	75.00
TOTAL VENDOR KAYLA SCHWARTZ		75.00
VENDOR NAME: WIGHTMAN		
86029	GENERAL ENGINEERING THROUGH 021424	1,692.50
TOTAL VENDOR WIGHTMAN		1,692.50
GRAND TOTAL:		10,192.08

User: JWest

DB: Potterville

PERIOD ENDING 02/29/2024

TIFA

GL NUMBER	DESCRIPTION	BALANCE		2023-24 AMENDED BUDGET	END BALANCE 02/29/2024
		02/28/2023	NORMAL (ABNORMAL)		
<b>Assets</b>					
247-000-001.000	CASH	172,050.40			120,913.15
247-000-003.000	CASH-CERTIFICATES OF DEPOSIT	0.00			170,000.00
<b>TOTAL ASSETS</b>		<b>172,050.40</b>			<b>290,913.15</b>
<b>Fund Equity</b>					
247-000-390.000	FUND BALANCE	50,368.77			161,213.27
<b>TOTAL FUND EQUITY</b>		<b>50,368.77</b>			<b>161,213.27</b>
<b>Revenues</b>					
247-728-401.000	PROPERTY TAXES	175,963.07		178,000.00	183,809.96
247-728-573.000	LOCAL COMMUNITY STABILIZATION	19,395.98		21,000.00	22,561.19
247-728-665.000	INTEREST INCOME	38.50		150.00	3,113.01
<b>TOTAL REVENUES</b>		<b>195,397.55</b>		<b>199,150.00</b>	<b>209,484.16</b>
<b>Expenditures</b>					
247-728-703.005	WAGES - OTHER	3,266.65		4,900.00	3,341.65
247-728-727.000	OFFICE EXPENSE	0.00		1,120.00	25.00
247-728-731.000	PUBLICATION	0.00		300.00	0.00
247-728-801.000	ATTORNEY	0.00		500.00	0.00
247-728-803.000	ENGINEERS FEES	5,058.86		8,000.00	13,876.38
247-728-807.000	AUDIT	4,250.00		4,500.00	4,350.00
247-728-967.700	CITY IMPROVEMENTS	1,899.16		1,900.00	0.00
247-728-970.000	CAPITAL OUTLAY	0.00		8,000.00	0.00
247-728-992.000	BOND PRINCIPAL	50,000.00		50,000.00	50,000.00
247-728-993.000	BOND INTEREST	9,241.25		15,283.00	8,191.25
<b>TOTAL EXPENDITURES</b>		<b>73,715.92</b>		<b>94,503.00</b>	<b>79,784.28</b>
<b>Total - All Funds:</b>		<b>0.00</b>		<b>(104,647.00)</b>	<b>0.00</b>

03/04/2024		BUDGET AMENDMENT REPORT FOR CITY OF POTTERVILLE				
Calculations as of 03/04/2024						
		2022-23	2022-23	2023-24	2023-24	2023-24
			ACTIVITY	ORIGINAL	ACTIVITY	AMENDED
GL NUMBER	DESCRIPTION	BUDGET		BUDGET	THRU 03/04/24	BUDGET
Fund 247 - TAX INCREMENT FINANCING AUTHOR						
ESTIMATED REVENUES						
Dept 728 - TIFA DEPT						
247-728-401.000	PROPERTY TAXES	175,963.07	175,963.07	178,000.00	183,809.96	<b>183,809.96</b>
247-728-573.000	LOCAL COMMUNITY STABILIZATION	19,395.98	19,395.98	21,000.00	22,561.19	<b>22,561.19</b>
247-728-665.000	INTEREST INCOME	90.00	148.99	150.00	3,113.01	<b>8,447.02</b>
Totals for dept 728 - TIFA DEPT		195,449.05	195,508.04	199,150.00	209,484.16	<b>214,818.17</b>
TOTAL ESTIMATED REVENUES		195,449.05	195,508.04	199,150.00	209,484.16	<b>214,818.17</b>

03/04/2024		BUDGET AMENDMENT REPORT FOR CITY OF POTTERVILLE				
Calculations as of 03/04/2024						
		2022-23	2022-23	2023-24	2023-24	2023-24
			ACTIVITY	ORIGINAL	ACTIVITY	AMENDED
GL NUMBER	DESCRIPTION	BUDGET		BUDGET	THRU 03/04/24	BUDGET
APPROPRIATIONS						
Dept 728 - TIFA DEPT						
247-728-703.005	WAGES - OTHER	4,900.00	4,899.97	4,900.00	3,341.65	<b>4,975.00</b>
247-728-727.000	OFFICE EXPENSE	1,120.00	1,123.05	1,120.00	25.00	<b>1,125.00</b>
247-728-731.000	PUBLICATION	300.00		300.00		<b>300.00</b>
247-728-801.000	ATTORNEY	500.00		500.00		<b>500.00</b>
247-728-803.000	ENGINEERS FEES	8,000.00	5,058.86	8,000.00	13,876.38	<b>28,000.00</b>
247-728-807.000	AUDIT	4,650.00	4,250.00	4,500.00	4,350.00	<b>4,350.00</b>
247-728-967.000	SIDEWALK AND LIGHTING IMPROVE					<b>150,176.84</b>
247-728-967.700	CITY IMPROVEMENTS	2,000.00	1,899.16	1,900.00		
247-728-970.000	CAPITAL OUTLAY	8,000.00		8,000.00		
247-728-992.000	BOND PRINCIPAL	50,000.00	50,000.00	50,000.00	50,000.00	<b>50,000.00</b>
247-728-993.000	BOND INTEREST	17,432.00	17,432.50	15,283.00	8,191.25	<b>15,283.00</b>
Totals for dept 728 - TIFA DEPT		96,902.00	84,663.54	94,503.00	79,784.28	<b>254,709.84</b>
TOTAL APPROPRIATIONS		96,902.00	84,663.54	94,503.00	79,784.28	<b>254,709.84</b>
NET OF REVENUES/APPROPRIATIONS - FUND 247		98,547.05	110,844.50	104,647.00	129,699.88	<b>(39,891.67)</b>
BEGINNING FUND BALANCE		50,368.77	50,368.77	161,213.27	161,213.27	<b>161,213.27</b>
ENDING FUND BALANCE		148,915.82	161,213.27	265,860.27	290,913.15	<b>121,321.60</b>

## BID PER ENCLOSED SPECIFICATIONS

Cost per vehicle \$50,866.00

Number of units 1

Total Bid Amount \$50,866.00

Vehicle Description:

Year 2024

Make Chevrolet

Model Silverado 4wd  
police package

Vendor:

Berger Chevrolet Inc.

Address 2525 28th Street S.E.

Grand Rapids, MI 49512

Phone (616) 949-5200

Fax (616) 988-9178

Bid Prepared For :

Potterville

Price includes title fee and delivery. Price based on  
Municipal discount in the State of Michigan.

Signature *Robert Evans*

Printed Signature Robert M. Evans

Date 2/5/2024



# 2024 Police Vehicle Purchasing Options

## Option 1: 2024 Chevrolet Silverado

MSRP with selected options: \$50,866

GM Financing Options

3-Year: ~\$5000 / quarter

## Option 2: 2024 Ford F150 Responder

MSRP with selected options: \$49,838

Ford Financing Options (Lease with \$1 payoff at end of lease)

\$545 Underwriting Fee

2-Year: \$6800 / quarter

3-Year: \$4700 / quarter

4-Year: \$3700 / quarter

## Upfitting Costs

Lights, Siren, Console, Prisoner area, Computer, Decals etc. : ~\$15000-\$20,000

Total Cost of Purchase: ~\$70,000

Yearly Cost (3-Year Financing): ~\$18,251

Quarterly Cost (3-Year Financing): ~\$4700

## Total Costs

<30 Days: First Payment \$4700 (Only item on 2023 Budget)

First Year: Vehicle Payment: \$18000

Upfitting: \$15000

Second year: Vehicle Payment: \$18000

Third Year: Vehicle Payment \$18000



## 2013 Dodge Charger

Sedan 4D Police V8 Values

### Pricing & Values

Prices shown for the used **2013 Dodge Charger Sedan 4D Police V8** with typical miles are what people paid to buy this vehicle or what people received when trading in this vehicle at a dealer.

[Edit options.](#)



MSRP

~~\$39,240~~

### Get Special Pricing on a New Car

Connect with local dealers to unlock special pricing & compare deals.

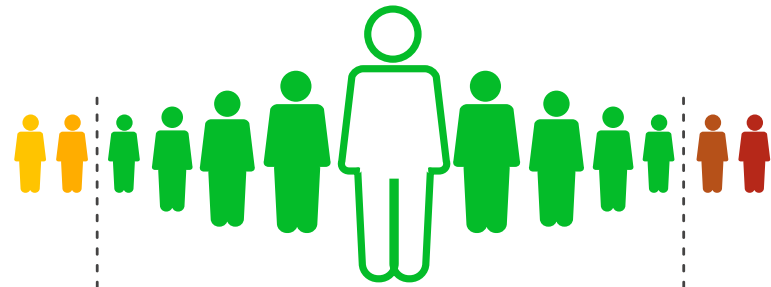
Get Free  
Pricing



## Buy from Dealer

Average Price Paid

**\$8,013**



80% of People Paid

**\$7,584 - \$8,628**

Data from 12 transactions - Updated  
02/25/24

## Trade Into Dealer



MSRP

~~\$39,245~~

**Get Special Pricing  
on a New Car**



Connect with local dealers to unlock  
special pricing & compare deals.

Mileage and Options

\$0

**Rough Condition** ⓘ

**\$2,650**

Base Price

\$3,600

Mileage and Options

\$0

**Average Condition** ⓘ

**\$3,600**

Base Price

\$4,400

Mileage and Options

\$0

**Clean Condition** ⓘ

**\$4,400**



MSRP

~~\$39,240~~

**Get Special Pricing  
on a New Car**



Connect with local dealers to unlock special pricing & compare deals.



[Fleet] 2024 Chevrolet Silverado 1500 (CK10543) 4WD Crew Cab 147" Work Truck (3) (✔ Complete)

### Selected Model and Options

#### MODEL

CODE	MODEL
CK10543	2024 Chevrolet Silverado 1500 4WD Crew Cab 147" Work Truck

#### COLORS

CODE	DESCRIPTION
GBA	Black

#### OPTIONS

CODE	DESCRIPTION
---	Option/package discount (Requires (L3B) TurboMax engine or (PEB) WT Value Package.) *DISCOUNT*
1WT	Work Truck Preferred Equipment Group includes standard equipment
5J1	Calibration, keyless remote panic button exterior lights/horn disable (Requires C*10*43 model and included and only available with (5W4) Special Service Vehicle or (9C1) Police Pursuit Package.)
5J3	Calibration, Surveillance Mode Interior & Exterior Lighting Calibration to disable interior & exterior automatic lighting. Feature is activated by adding wire connection to the BCM by customer/upfitter. (Requires C*10*43 model and included and only available with (5W4) Special Service Vehicle or (9C1) Police Pursuit Package.)
5J9	Calibration, Taillamp Flasher, Red/White Calibration flashes back-up (white) and brake (red) lamps alternately when activated. (Requires C*10*43 model. Included and only available with (5W4) Special Service Vehicle or (9C1) Police Pursuit Package.)
5LO	Calibration, Taillamp Flasher, Red/Red Calibration flashes back-up (red) and brake (red) lamps alternately when activated. (Requires C*10*43 model. Included and only available with (5W4) Special Service Vehicle or (9C1) Police Pursuit Package.)
5T5	Seats, Front cloth and second row vinyl (Requires C*10*43 model and (5W4) Special Service Vehicle or (9C1) Police Pursuit Package.)
6E2	Key, common All keys are coded alike. Not compatible with Tahoe or prior years Silverados equipped with SEO 6E2 (Requires C*10*43 model, (5W4) Special Service Vehicle or (9C1) Police Pursuit Package, (SAF) spare tire lock, (UTQ) Alarm, Horn Content Theft Deterrent, Disabled and Government type order.)
6J3	Wiring, Provisions for grille lamps and siren speakers (Requires (5W4) Special Services Package or (9C1) Police Pursuit Package, Silao Production and (GEZ) Kerr Industries ship thru.)
6J7	Flasher System Headlamp and taillamp, DRL compatible with control wire (Requires C*10*43 model. Included and only available with (5W4) Special Service Vehicle or (9C1) Police Pursuit Package.)
6N5	Inoperative rear windows (Requires C*10*43 model and (5W4) Special Service Vehicle or (9C1) Police Pursuit Package.)
6N6	Door locks and handles Inside rear doors inoperative (doors can only be opened from outside) (Requires (5W4) Special Services Package or (9C1) Police Pursuit Package, Silao Production and (GEZ) Kerr Industries ship thru.)
7X6	Spotlamp, Left-hand pillar mounted, Halogen (Requires (5W4) Special Services Package or (9C1) Police Pursuit Package, Silao Production and (GEZ) Kerr Industries ship thru. Not available with any other SEO spotlamps.)

This document contains information considered Confidential between GM and its Clients uniquely. The information provided is not intended for public disclosure. Prices, specifications, and availability are subject to change without notice, and do not include certain fees, taxes and charges that may be required by law or vary by manufacturer or region. Performance figures are guidelines only, and actual performance may vary. Photos may not represent actual vehicles or exact configurations. Content based on report preparer's input is subject to the accuracy of the input provided.

Data Version: 21648. Data Updated: Feb 4, 2024 6:39:00 PM PST.



[Fleet] 2024 Chevrolet Silverado 1500 (CK10543) 4WD Crew Cab 147" Work Truck (3) (✔ Complete)

### OPTIONS

CODE	DESCRIPTION
9C1	Police Pursuit Package includes (K47) high-capacity air filter, (KW5) 220-amp alternator, (KI4) 120-volt power outlet, (KC9) 120-volt bed-mounted power outlet, (J55) Heavy Duty Brakes, (PXT) 20" Black painted steel wheels, (RNQ) 20" Black painted steel spare wheel, (QAE) 275/60R20SL all-terrain, blackwall tires, (RMW) 275/60R20 all-terrain, blackwall spare tire, (VZ2) speedometer calibration, (JHD) Hill Descent Control, (5J1) Calibration, keyless remote panic button exterior lights/horn disable, (NZZ) skid plates, (G80) auto-locking differential, (K34) cruise control, (NQH) 2-speed transfer case, (5J3) calibration and surveillance mode interior & exterior lighting, (6J7) headlamp and taillamp flasher system, (5LO) red/red taillamp flasher calibration and (5J9) red/white taillamp flasher calibration (Requires (Z71) Z71 Off-Road Package or (Z7X) Suspension Package. Requires CK10543 4WD Crew Cab Short Bed, (L84) 5.3L EcoTec3 V8 engine and either (ZLQ) WT Fleet Convenience Package or (PCV) WT Convenience Package. Not available with (5W4) Special Service Package.
9G8	Headlamps, daytime running lamps and automatic headlamp control delete (Requires C*10*43 model and (5W4) Special Service Vehicle or (9C1) Police Pursuit Package.)
9M4	Decal and name plate delete, tailgate (Not available with SEO (8F2) ornamentation delete or (ZW9) pickup bed delete.)
9R1	Decal delete, Pickup bed (Requires 4WD models only. Not available with SEO (8F2) ornamentation delete or (ZW9) pickup bed delete.)
AKO	Glass, deep-tinted (Included with (PCV) WT Convenience Package.)
AMF	Remote Keyless Entry Package Includes 4 additional transmitters, NOTE: programming of remotes is at customer's expense. Programming remotes is not a warranty expense. (Requires Crew Cab C*10*43 model.)
AZ3	Seats, front 40/20/40 split-bench with covered armrest storage and under-seat storage (lockable) (STD)
C49	Defogger, rear-window electric (Included with (PCV) WT Convenience Package.)
C5Y	GVWR, 7100 lbs. (3221 kg) (Requires Crew Cab 4WD model with (L84) 5.3L EcoTec3 V8 engine.)
CTT	Hitch Guidance dynamic single line to aid in trailer alignment for hitching (Included and only available with (Z82) Trailing Package.)
DLF	Mirrors, outside heated power-adjustable (Standard on Regular Cab models. Included and only available with (ZLQ) WT Fleet Convenience Package or (PCV) WT Convenience Package on Crew Cab and Double Cab models. When (PQA) WT Safety Package is ordered, includes (DP6) high gloss Black mirror caps.)
FE9	Emissions, Federal requirements
G80	Auto-locking rear differential (Required with (L84) 5.3L EcoTec3 V8 engine when (Z82) Trailing Package is ordered. Included with (Z71) Z71 Off-Road Package or (9C1) Police Pursuit Package.)
GBA	Black
GU5	Rear axle, 3.23 ratio (Included and only available with (L84) 5.3L EcoTec3 V8 engine.)
H1T	Jet Black, Cloth seat trim
IOR	Audio system, Chevrolet Infotainment 3 system 7" diagonal HD color touchscreen, AM/FM stereo, Bluetooth audio streaming for 2 active devices, voice command pass-through to phone, Wireless Apple CarPlay and Wireless Android Auto compatibility (STD)
J55	Brakes, Heavy-Duty 4-wheel antilock, 4-wheel disc (Included and only available with (9C1) Police Pursuit Package.)

This document contains information considered Confidential between GM and its Clients uniquely. The information provided is not intended for public disclosure. Prices, specifications, and availability are subject to change without notice, and do not include certain fees, taxes and charges that may be required by law or vary by manufacturer or region. Performance figures are guidelines only, and actual performance may vary. Photos may not represent actual vehicles or exact configurations. Content based on report preparer's input is subject to the accuracy of the input provided.

Data Version: 21648. Data Updated: Feb 4, 2024 6:39:00 PM PST.



[Fleet] 2024 Chevrolet Silverado 1500 (CK10543) 4WD Crew Cab 147" Work Truck (3) (✔ Complete)

OPTIONS

CODE	DESCRIPTION
JHD	Hill Descent Control (Included and only available with (Z71) Z71 Off-Road Package or (9C1) Police Pursuit Package.)
K34	Cruise control, electronic with set and resume speed, steering wheel-mounted (Included with (ZLQ) WT Fleet Convenience Package, (PCV) WT Convenience Package or (9C1) Police Pursuit Package. Upgradeable to (KSG) Adaptive Cruise Control.)
K47	Air filter, heavy-duty (Included and only available with (BAQ) Work Truck Package, (Z71) Z71 Off-Road Package, (VYU) Snow Plow Prep Package, (5W4) Special Service Package or (9C1) Police Pursuit Package. Available free flow as a SEO.)
KC4	Cooling, external engine oil cooler (Included and only available with V8 engines.)
KC9	Power outlet, bed mounted, 120-volt (400 watts shared with (KI4) interior power outlet) (Included and only available with (KI4) Power outlet. Not available with (ZW9) pickup bed delete.)
KI4	Power outlet, interior power outlet, 120-volt (400 watts shared with (KC9) bed mounted power outlet) (Requires (QT5) EZ Lift power lock and release tailgate. Included with (5W4) Special Service Package and (9C1) Police Pursuit Package. Includes (UBI) USB ports on Crew and Double Cab models only.)
KNP	Cooling, auxiliary external transmission oil cooler (Included and only available with V8 engines.)
L84	Engine, 5.3L EcoTec3 V8 (355 hp [265 kW] @ 5600 rpm, 383 lb-ft of torque [518 Nm] @ 4100 rpm); featuring available Dynamic Fuel Management that enables the engine to operate in 17 different patterns between 2 and 8 cylinders, depending on demand, to optimize power delivery and efficiency (Requires (G80) auto-locking differential on CC10543 Crew Cab models. Not available with C*10703 Regular Cab model.)
MI2	Transmission, 10-speed automatic, electronically controlled with overdrive and tow/haul mode. Includes Cruise Grade Braking and Powertrain Grade Braking (Included and only available with (9C1) Police Pursuit Package, (5W4) Special Services Package or (FHS) E85 FlexFuel capability.)
N06	Steering column lock, electrical
NQH	Transfer case, two-speed electronic Autotrac with push button control (4WD models only) (Included and only available with (Z71) Z71 Off-Road Package or (9C1) Police Pursuit Package. Free flow requires Regular Cab model.)
NZZ	Skid Plates (Included with (BAQ) Work Truck Package, (Z71) Z71 Off-Road Package, (VYU) Snow Plow Prep Package or (9C1) Police Pursuit Package.)
PCV	WT Convenience Package includes (AKO) tinted windows, (C49) rear-window defogger, (K34) cruise control and (DLF) power mirrors (Upgradeable to (DPO) trailer mirrors and includes (DD8) auto dimming rearview mirror.)
PEB	WT Value Package includes (PCV) WT Convenience Package and (Z82) Trailering Package (Not available with (ZLQ) WT Fleet Convenience Package or (ZW9) pickup bed delete.) *GROSS*
PXT	Wheels, 20" x 9" (50.8 cm x 22.9 cm) Black painted steel (Included and only available with (9C1) Police Pursuit Package.)
QAE	Tires, 275/60R20SL all-terrain, blackwall (Included and only available with (9C1) Police Pursuit Package.)
QT5	Tailgate, gate function manual with EZ Lift includes power lock and release
RMW	Tire, spare 275/60R20 all-terrain, blackwall (Included and only available with (9C1) Police Pursuit Package.)

This document contains information considered Confidential between GM and its Clients uniquely. The information provided is not intended for public disclosure. Prices, specifications, and availability are subject to change without notice, and do not include certain fees, taxes and charges that may be required by law or vary by manufacturer or region. Performance figures are guidelines only, and actual performance may vary. Photos may not represent actual vehicles or exact configurations. Content based on report preparer's input is subject to the accuracy of the input provided.

Data Version: 21648. Data Updated: Feb 4, 2024 6:39:00 PM PST.



[Fleet] 2024 Chevrolet Silverado 1500 (CK10543) 4WD Crew Cab 147" Work Truck (3) (  Complete )

### OPTIONS

CODE	DESCRIPTION
RNQ	Wheel, full-size spare, matching 20" (50.8 cm) steel wheel without center cap (Included and only available with (9C1) Police Pursuit Package.)
UBI	USB ports, rear, dual, charge-only (Included and only available with (K14) 120-volt power outlet on Crew and Double Cab models only.)
UTQ	Alarm, Horn Content Theft Deterrent, Disabled Calibration disables the horn for the theft deterrent alarm (Requires C*10*43 model and (5W4) Special Service Vehicle or (9C1) Police Pursuit Package..)
Z7X	Suspension Package, Z71 Off-Road equipment with 2" lift. Includes (Z7X) Off-Road suspension with 2" lift and monotube shocks, (JHD) Hill Descent Control, (NZZ) skid plates, (K47) heavy-duty air filter and Z71 hard badge (Requires (9C1) Police Pursuit Package.)
Z82	Trailer Package includes trailer hitch, 7-pin and 4-pin connectors and (CTT) Hitch Guidance (With (L84) 5.3L EcoTec3 V8 engine requires (G80) locking differential. Included with (PEB) WT Value Package.)

**Options Total**

This document contains information considered Confidential between GM and its Clients uniquely. The information provided is not intended for public disclosure. Prices, specifications, and availability are subject to change without notice, and do not include certain fees, taxes and charges that may be required by law or vary by manufacturer or region. Performance figures are guidelines only, and actual performance may vary. Photos may not represent actual vehicles or exact configurations. Content based on report preparer's input is subject to the accuracy of the input provided.  
Data Version: 21648. Data Updated: Feb 4, 2024 6:39:00 PM PST.





[Fleet] 2024 Chevrolet Silverado 1500 (CK10543) 4WD Crew Cab 147" Work Truck (3) ( Complete )

## Standard Equipment

### Package

Chevy Safety Assist includes (UHY) Automatic Emergency Braking, (UKJ) Front Pedestrian Braking, (UHX) Lane Keep Assist with Lane Departure Warning, (UE4) Following Distance Indicator, (UEU) Forward Collision Alert and (TQ5) IntelliBeam

### Mechanical

Durabed, pickup bed

Engine, TurboMax (310 hp [231 kW] @ 5600 rpm, 430 lb-ft of torque [583 Nm] @ 3000 rpm) (STD) (Not available with (Z71) Z71 Off-Road Package, (VYU) Snow Plow Prep Package or (ZW9) pickup bed delete.)

Transmission, 8-speed automatic, electronically controlled with overdrive and tow/haul mode. Includes Cruise Grade Braking and Powertrain Grade Braking (STD) (Included and only available with (L3B) TurboMax engine. Requires (AZ3) front 40/20/40 split-bench seats.)

Rear axle, 3.42 ratio

GVWR, 7000 lbs. (3175 kg) (STD) (Requires Crew Cab or Double Cab 4WD model and (L3B) TurboMax engine.)

Push Button Start

Automatic Stop/Start (Not available with (5W4) Special Services Package, (9C1) Police Pursuit Package or (FHS) E85 FlexFuel capability.)

Transfer case, single speed electronic Autotrac with push button control (4WD models only)

Four wheel drive

Battery, heavy-duty 730 cold-cranking amps/80 Amp-hr, maintenance-free with rundown protection and retained accessory power

Alternator, 220 amps (Included with (L3B) TurboMax engine, (VYU) Snow Plow Prep Package, (5W4) Special Service Package or (9C1) Police Pursuit Package.)

Recovery hooks, front, frame-mounted, Black

Frame, fully-boxed, hydroformed front section

Suspension Package, Standard

Steering, Electric Power Steering (EPS) assist, rack-and-pinion

Brakes, 4-wheel antilock, 4-wheel disc with DURALIFE rotors

Brake lining wear indicator

Capless Fuel Fill

Exhaust, single outlet

### Exterior

Wheels, 17" x 8" (43.2 cm x 20.3 cm) Ultra Silver painted steel (STD)

Tires, 255/70R17 all-season, blackwall (STD)

This document contains information considered Confidential between GM and its Clients uniquely. The information provided is not intended for public disclosure. Prices, specifications, and availability are subject to change without notice, and do not include certain fees, taxes and charges that may be required by law or vary by manufacturer or region. Performance figures are guidelines only, and actual performance may vary. Photos may not represent actual vehicles or exact configurations. Content based on report preparer's input is subject to the accuracy of the input provided.

Data Version: 21648. Data Updated: Feb 4, 2024 6:39:00 PM PST.



[Fleet] 2024 Chevrolet Silverado 1500 (CK10543) 4WD Crew Cab 147" Work Truck (3) (  Complete )

## Exterior

- Tire, spare 255/70R17 all-season, blackwall (STD) (Included with (QBN) 255/70R17 all-season, blackwall tires.)
- Wheel, 17" x 8" (43.2 cm x 20.3 cm) full-size, steel spare
- Tire carrier lock, keyed cylinder lock that utilizes same key as ignition and door
- Bumpers, front, Black (semi-gloss)
- Bumpers, rear, Black (semi-gloss)
- CornerStep, rear bumper
- Cargo tie downs (12), fixed rated at 500 lbs per corner
- Headlamps, halogen reflector with halogen Daytime Running Lamps
- IntelliBeam, automatic high beam on/off
- Lamps, cargo area, cab mounted integrated with center high mount stop lamp, with switch in bank on left side of steering wheel (incandescent on Regular Cab models, LED on Crew Cab and Double Cab models)
- Taillamps with incandescent tail, stop and reverse lights
- Mirrors, outside manual, Black (Standard on Crew Cab and Double Cab models only. Not available on Regular Cab models.)
- Glass, solar absorbing, tinted
- Door handles, Black
- Tailgate and bed rail protection cap, top
- Tailgate, standard
- Tailgate, locking utilizes same key as ignition and door (Removed when (QT5) EZ Lift power lock and release tailgate is ordered.)
- Tailgate, gate function manual, no EZ Lift

## Entertainment

- Audio system, Chevrolet Infotainment 3 system 7" diagonal HD color touchscreen, AM/FM stereo, Bluetooth audio streaming for 2 active devices, voice command pass-through to phone, Wireless Apple CarPlay and Wireless Android Auto compatibility (STD)
- Sirius XM, delete (Can be upgraded to (U2K) SiriusXM.)
- Audio system feature, 6-speaker system (Requires Crew Cab or Double Cab model.)
- Wireless phone projection for Apple CarPlay and Android Auto
- Bluetooth for phone, connectivity to vehicle infotainment system
- Wi-Fi Hotspot capable (Terms and limitations apply. See onstar.com or dealer for details.)

## Interior

- Seats, front 40/20/40 split-bench with covered armrest storage and under-seat storage (lockable) (STD)
- Seat trim, Vinyl

This document contains information considered Confidential between GM and its Clients uniquely. The information provided is not intended for public disclosure. Prices, specifications, and availability are subject to change without notice, and do not include certain fees, taxes and charges that may be required by law or vary by manufacturer or region. Performance figures are guidelines only, and actual performance may vary. Photos may not represent actual vehicles or exact configurations. Content based on report preparer's input is subject to the accuracy of the input provided.

Data Version: 21648. Data Updated: Feb 4, 2024 6:39:00 PM PST.



[Fleet] 2024 Chevrolet Silverado 1500 (CK10543) 4WD Crew Cab 147" Work Truck (3) (✔ Complete)

### Interior

- Seat adjuster, driver 4-way manual
- Seat adjuster, passenger 4-way manual
- Seat, rear 60/40 folding bench (folds up), 3-passenger (includes child seat top tether anchor) (Requires Crew Cab or Double Cab model.)
- Floor covering, rubberized-vinyl (Not available with LPO floor liners.)
- Steering wheel, urethane
- Steering column, Tilt-Wheel, manual with wheel locking security feature
- Instrument cluster, 6-gauge cluster featuring speedometer, fuel level, engine temperature, tachometer, voltage and oil pressure
- Driver Information Center, 3.5" diagonal monochromatic display
- Exterior Temperature Display located in radio display
- Compass located in instrument cluster
- Window, power front, drivers express up/down
- Window, power front, passenger express down
- Windows, power rear, express down (Not available with Regular Cab models.)
- Door locks, power
- Remote Keyless Entry, with 2 transmitters
- Power outlet, front auxiliary, 12-volt
- USB Ports, 2, Charge/Data ports located on instrument panel
- Air conditioning, single-zone manual
- Air vents, rear, heating/cooling (Not available on Regular Cab models.)
- Mirror, inside rearview, manual tilt
- Assist handles front A-pillar mounted for driver and passenger, rear B-pillar mounted
- Chevrolet Connected Access capable (Subject to terms. See onstar.com or dealer for details.)

### Safety-Mechanical

- Automatic Emergency Braking
- Front Pedestrian Braking
- StabiliTrak, stability control system with Proactive Roll Avoidance and traction control, includes electronic trailer sway control and hill start assist

### Safety-Exterior

- Daytime Running Lamps with automatic exterior lamp control

This document contains information considered Confidential between GM and its Clients uniquely. The information provided is not intended for public disclosure. Prices, specifications, and availability are subject to change without notice, and do not include certain fees, taxes and charges that may be required by law or vary by manufacturer or region. Performance figures are guidelines only, and actual performance may vary. Photos may not represent actual vehicles or exact configurations. Content based on report preparer's input is subject to the accuracy of the input provided.

Data Version: 21648. Data Updated: Feb 4, 2024 6:39:00 PM PST.





2024

# SILVERADO 9C1 PPV



Shown with equipment from independent suppliers not covered by the GM New Vehicle Limited Warranty. GM is not responsible for the safety or quality of independent supplier alterations.





## About This Publication

This catalog is not updated during the model year and should not be used for ordering purposes. It is intended as a source of basic information. All illustrations and specifications in this literature are based on the latest product information available at the time of publication. General Motors reserves the right to make changes at any time without notice. For further details, consult your local dealer.

Care must be taken during customer installation of equipment and wiring to ensure that all holes drilled in the body are corrosion protected, properly sealed and that vehicle wiring harnesses, piping or other components have not been displaced or damaged. Aftermarket equipment installers must be mindful of applicable Federal Motor Vehicle Safety Standards. This information can be obtained directly from the National Highway Traffic Safety Administration. Adding non-dealer accessories or making modifications to the vehicle can affect vehicle performance, aerodynamics, and overall top speed. Please return all police vehicles to factory condition and settings upon decommissioning to prevent civilians from using these new 2024 calibrations, lighting and other features intended only for police and emergency customers. Wiring connection or splice changes are to be removed before the vehicle is returned to civilian use.

These vehicles are equipped with an airbag system. The airbag system in your police vehicle includes frontal driver and front outboard passenger airbags, front seat back side impact airbags and roof rail mounted head-curtain airbags. Customer installed equipment such as security barriers behind the front seats should not be mounted so that the barrier ends are within the side airbag deployment zones. The sensors and other components for the airbag system must not be relocated to accommodate the installation of customer furnished equipment; please refer to the service manual for sensor and other component locations. For information concerning instrument panel top pad mounted equipment and airbag system deployment zones, see the airbag information section in this catalog and the vehicle owners manual.

A note about vehicle alterations by independent suppliers: This catalog shows pictures of vehicles that have been altered or upfitted with equipment or components supplied to Chevrolet or its dealers by independent suppliers. GM is not responsible for the safety or quality of design features, materials or workmanship of any alterations by third parties.

# INDEX

## 2024 SILVERADO 9C1 PPV (POLICE PURSUIT VEHICLE)

- **STANDARD FEATURES**
- **OPTIONAL EQUIPMENT**
- **COLORS & INTERIOR TRIM**
- **SPECIFICATIONS**
- **POWERTRAIN & EMISSIONS**
- **ILLUSTRATION HIGHLIGHTS**
- **WIRING DIAGRAMS**
- **AIRBAG DIMENSIONS**
- **AIRBAGS FAQ**
- **OnStar® OPTIONS**
- **MAINTENANCE AND LIMITED WARRANTY**



Shown with aftermarket equipment



Standard 120-volt power outlet in bed



Standard 7" diagonal touchscreen radio



## STANDARD UNIQUE 9C1 (PPV) HIGHLIGHTED FEATURES REQUIRES (ZLQ) OR (PCV) CONVENIENCE PACKAGE.

AVAILABLE IN 1500 SERIES CREW CAB WITH SHORT BOX AND WT TRIM

- **5.3L V8 engine (L84) with 10-speed transmission and column shift (M12)**
- **Heavy duty BREMBO® front brake calipers with 16" front rotors (J55)**
- **2-speed transfer case (NQH)**
- **Off-road suspension (Z71)**
- **Locking rear differential (G80)**
- **Skid plates (NZZ)**
- **20" x 9" Black painted steel wheels (PXT)**
- **275/60 R-20 SL Goodyear all-terrain tires (QAE)**
- **Matching spare wheel and tire (RMW) with programmable tire pressure monitor**
- **Trailer package (Z82)**
- **Hill decent control (JHD)**
- **Automatic Stop/Start overridden (KLF)**
- **High-capacity air filter (K47)**
- **220-amp alternator (KW5)**
- **120-volt bed mounted power outlet (KC9)**
- **120-volt dash mounted power outlet (KI4)**
- **Cruise control (K34)**
- **Power Mirrors (DLF)**
- **Remote Keyless Entry (AQQ) with Push to Start**
- **Protected Idle**
- **Certified speedometer calibration (VZ2)**
- **Calibration with keyless remote panic button exterior and lights/horn disable (5J1)**
- **Calibration and surveillance mode interior and exterior lighting (5J3)**
- **Head and taillamp flasher system, DRL Compatible (6J7)**
  - Calibration for taillamp flasher Red/White (5J9)
  - Calibration for taillamp flasher Red/Red (5LO)

## OPTIONAL UNIQUE 9C1 (PPV) FEATURES

- **2" Suspension Lift with monotube shocks (Z7X)**
- **Multi-Flex Tailgate (QK2)**
- **Trailer mirrors (DPO)**
- **Tinted rear windows (AK0) included with (PCV) WT Convenience Package**
- **Rear window defogger (C49) included with (PCV) WT Convenience Package**
- **Common Fleet Key (6E2) or (6E8)**
- **4 additional keyless remote transmitters with internal pre-cut keys (AMF)**
- **Horn and Siren circuit (6J4)**
- **Grille lamps and siren speaker wiring provisions (6J3)**
- **Spotlights (LED) driver and passenger side (7X2)**
- **Spotlight (LED) driver side only (7X3)**
- **Spotlights (Halogen) driver and passenger side (7X7)**
- **Spotlight (Halogen) driver side only (7X6)**
- **Inoperative rear windows (6N5)**
- **Inside rear door handles and locks disabled (6N6)**
- **Front row 20% center seat delete (5Y1)**
- **Auto Door Locks disabled (BCV)**
- **Ship thru Kerr Industries (GEZ)**
- **Power Driver's Seat (A2X)**

The four-wheel drive, crew cab, short box Silverado (9C1) Police Package has been designed for police work up to, and including high-speed emergency vehicle operations. GM restricts the sale of police vehicles and they are not to be sold to retail customers. Model CK10543 (four-wheel drive) with equipment group WT, (Z71) Off-Road Package or (Z7X) Suspension Package and either (ZLQ) WT Fleet Convenience Package or (PCV) WT Convenience Package are required when ordering 9C1 Police Package. Content, Options and Specifications shown are for the police version only which differ from retail civilian models.

9C1 PPV Package includes: 5.3L EcoTec3 V8 engine, Heavy-duty police-rated suspension with unique StabiliTrak performance calibration, 2-speed transfer case with auto-locking differential and Hill Descent Control. Police specific Brembo front brakes utilize 6-piston fixed calipers on 410mm rotors (32mm thick), 1-piston sliding rear calipers on 345mm rotors (20mm thick). 275/60 R-20 SL Goodyear all-season Goodyear Trail Runner tires are mounted on 20" heavy-duty black steel wheels with bolt-on center caps and includes a matching full-size spare, skid plates, Surveillance Mode, keyless remote panic button exterior lights/horn disabled, certified speedometer, work truck steering wheel with re-purposed cruise cancel button to operate Protected Idle, High-capacity air filter, 220 amp alternator, headlamp and taillamp flasher calibrations, cruise control, 120-V bed-mounted power outlet. Deletes (KL9) automatic stop/start.

## STANDARD 9C1 INTERIOR FEATURES

<b>AIR CONDITIONING</b>	Single-zone with rear Heating/Cooling air vents.
<b>ASSIST HANDLES</b>	Front A-pillar mounted for driver and passenger, rear B-pillar mounted.
<b>AUDIO SYSTEM FEATURES<sup>1</sup></b>	Chevrolet Infotainment 3 system, 7" diagonal color touchscreen, AM/FM stereo, 6 speakers. Additional features for compatible phones include: Bluetooth <sup>2</sup> audio streaming for two active devices, voice command pass-through to phone, wired Apple CarPlay and Android Auto capable.
<b>BUCKLE TO DRIVE<sup>3</sup></b>	Buckle to Drive helps remind the driver to buckle up their seat belt before driving by preventing the vehicle from being shifted out of PARK temporarily when the driver's seat belt is not buckled. On some vehicles, the feature also reminds the front passenger to buckle up.
<b>CALIBRATION, KEYLESS REMOTE</b>	(5J1) Calibration to disable keyless remote panic button, exterior lights flashing and horn alarms.
<b>COMPASS</b>	Located in instrument cluster. Requires OnStar
<b>CONVENIENCE PACKAGE</b>	WT or WT Fleet Convenience Package. See OPTIONAL WORK TRUCK CONVENIENCE PACKAGES
<b>DOOR LOCKS</b>	Power
<b>DRIVER INFO. CENTER</b>	3.5 inch diagonal monochromatic display, provides warning messages and basic vehicle information
<b>FLOOR COVERING</b>	Front and Rear rubberized-vinyl floor mats available and included with optional color-keyed carpeting (B30).
<b>INSTRUMENTATION CLUSTER</b>	6-gauge cluster featuring speedometer, fuel level, engine temperature, tachometer, voltage and oil pressure
<b>LTE WI-FI® HOTSPOT<sup>4</sup></b>	Can connect up to 7 devices; includes data trial for 1 month or 3GB (whichever comes first) Service varies with conditions and location. Available Wi-Fi requires compatible mobile device, active OnStar service and data plan. Data plans provided by AT&T. Visit <a href="http://www.OnStar.com/BusinessSolutions">www.OnStar.com/BusinessSolutions</a> for details and system limitations.
<b>MIRROR</b>	Inside rearview manual tilt
<b>ONSTAR®<sup>5</sup></b>	Fleet orders of properly equipped vehicles receive a 3-month trial of Driver Remote Access Plan, 3 months of Safety & Security coverage, and 1 month or 3GB of data (whichever comes first) from vehicle delivery date. Certain services require working electrical system, cell reception and GPS signal. OnStar links to emergency services. Data plans offered by AT&T. See <a href="http://OnStar.com/BusinessSolutions">OnStar.com/BusinessSolutions</a> for details. Services subject to Terms and limitations and availability is subject to change.
<b>POWER OUTLET</b>	Instrument panel mounted. 120 volt. 400 watts shared with (KC9) bed mounted power outlet.
<b>PUSH BUTTON START</b>	Keyless Open and Start with two remote keyless entry transmitters.
<b>REAR VISION CAMERA<sup>3</sup></b>	When you're in Reverse, Rear Vision Camera shows you an image of the area directly behind your vehicle to help you park and avoid vehicles and objects. You can also select to show an overlay of where your vehicle is heading.
<b>RESTRAINT SYSTEM<sup>6</sup></b>	Seat belts at all designated seating positions with driver and front outboard passenger pretensioners. Airbags: Dual-stage frontal airbags for driver and front outboard passenger; includes front outboard Passenger Sensing System. Seat-mounted side-impact airbags for driver and front outboard passenger; Head Curtain airbags for front and rear outboard seating positions. NOTE: Nine inch seat belt extenders are available (part number 19259268) through our dealers at no charge.
<b>SEAT, FRONT</b>	40/20/40 Split Bench with arm rest storage and Vinyl trim. Driver and front passenger seat adjuster are 4-way manual (for cloth trim and power seat availability see seat availability page).
<b>SEAT, REAR</b>	60/40 folding bench (folds up), 3-passenger (includes child seat top tether anchor). Includes Rear seat Reminder. <sup>5</sup>
<b>SURVEILLANCE MODE</b>	Calibration to disable interior & exterior automatic lighting. Feature is activated by adding wire connection to the BCM by customer/upfitter.
<b>STEERING COLUMN</b>	Tilt-Wheel, manual with wheel locking security feature
<b>TEEN DRIVER MODE<sup>3</sup></b>	Teen Driver helps encourage driving skills for teens by providing an in-vehicle report card. It also activates certain safety systems, if equipped, when a Teen Driver-designated key fob is used and mutes the radio until the front seat occupants fasten their seat belts.
<b>TEMPERATURE DISPLAY</b>	Exterior temperature display located in radio display
<b>THEFT DETERRENT SYSTEM</b>	Vehicle Immobilizer (prevents vehicle start without correct key or remote). Content Theft System not available. See your Owner's Manual for system information.
<b>TIRE PRESSURE MONITOR WITH TIRE FILL ALERT</b>	Tire Pressure Monitoring System. The standard spare wheel includes an unprogrammed tire pressure monitor. Includes Tire Fill Alert in addition to the DIC warning when a tire has low pressure. This feature provides audible and visual indication when air is being added to the low tire to aid in achieving optimal tire pressure.
<b>USB PORTS<sup>7</sup></b>	Two Charge/Data ports located on instrument panel
<b>WINDOWS</b>	Power front, drivers express up/down. Front passenger express down. Rear power express down.

1. Functionality varies by model. Full functionality requires compatible Bluetooth and smartphone, and USB connectivity for some devices. 2. Go to [ <https://my.CHEVROLET.com/learnAbout/bluetooth>] to find out which phones are compatible with the vehicle. Full Bluetooth feature functionality varies by device, model, and software version. 3. Safety or driver assistance features are not substitute for the driver's responsibility to operate the vehicle in a safe manner. The driver should remain attentive to traffic, surroundings, and road conditions at all times. Visibility, weather, and road conditions may affect feature performance. Read the vehicle's owner's manual for more important feature limitations and information. 4. Service varies with conditions and location. Requires active OnStar service and paid AT&T data plan. Visit [onstar.com](http://onstar.com) for details and limitations. 5. OnStar services require vehicle electrical system (including battery), wireless service and GPS satellite signals to be available and operating for features to function properly. OnStar acts as a link to existing emergency service providers. Subscription Service Agreement required. Call 1.888.4ONSTAR (1-888-466-7827) or visit [onstar.com](http://onstar.com) for OnStar Terms and Conditions, Privacy Policy, details and system limitations. 6. Always use seat belts and child restraints. Children are safer when properly secured in a rear seat in the appropriate child restraint. See the Owner's Manual for more information 7. Not compatible with all devices.

## STANDARD 9C1 EXTERIOR FEATURES

<b>BUMPER FRONT</b>	Black (semi-gloss).
<b>BUMPER REAR</b>	Black (semi-gloss) with corner step.
<b>CARGO TIE DOWN</b>	12 fixed, Rated at 500 pounds per corner.
<b>CAPLESS FUEL FILL</b>	The vehicle has a capless refueling system and does not have a fuel cap. The filling nozzle must be fully inserted and latched prior to starting fuel flow. NOTE: Overfilling the fuel tank by more than three clicks of a standard fill nozzle may cause vehicle performance issue, including engine stalling and damage to the fuel system, fuel spills, potential fuel fires.
<b>DAYTIME RUNNING LAMPS</b>	Includes automatic exterior lamp control. Daytime running light delete option available.
<b>DOOR HANDLES</b>	Black
<b>FLASHERS</b>	Taillamp Flasher Calibration (5J9) flashes white (backup) and red (brake lamps) alternately when activated. Headlamp and taillamp Flasher System (6J7) DRL compatible with control wire. Head and Taillamp circuit for customer furnished switch and wiring.
<b>GLASS</b>	Solar absorbing, tinted.
<b>GRILLE</b>	Black bars with mesh inserts
<b>HEADLAMPS</b>	Halogen reflector with halogen Daytime Running Lamps and Automatic exterior lamp control. Altering headlamp assembly is not-Recommended. General Motors is not responsible for the effects of any modifications
<b>LAMPS</b>	Cargo area, cab mounted integrated with center high mount stop lamp, with switch in bank on left side of steering wheel (LED on Crew Cab models)
<b>MIRRORS, OUTSIDE</b>	Black, Manual
<b>POWER OUTLET</b>	Bed mounted. 120-volt. 400 watts shared with (K14) instrument panel mounted power outlet.
<b>PICKUP BED</b>	Built from high-strength roll-formed steel for durability with 12 fixed corner tie downs and 120v outlet
<b>RECOVERY HOOKS<sup>1</sup></b>	Front, frame-mounted.
<b>SUSPENSION</b>	Z71 Off-Road Package, includes (Z71) Off-Road suspension, (JHD) Hill Descent Control, (NZZ) skid plates and (K47) heavy-duty air filter. Requires Crew Cab, 4WD model, (L84) 5.3L EcoTec3 V8 engine, (Z82) Trailering Package and AT or MT tires. Includes Z71 hard badge, (G80) locking differential and (NQH) 2-speed transfer case.
<b>TAILGATE</b>	Gate function manual, no lift assist. Locking, utilizes same key as ignition and door. Includes Tailgate and bed rail protection cap.
<b>TAILLAMPS</b>	Incandescent tail, stop and reverse lights
<b>TIRES</b>	Track certified 275/60R20SL all-terrain, blackwall.
<b>TIRE, SPARE</b>	Spare tire is track certified, 275/60R20 all-terrain, blackwall includes unprogrammed tire pressure monitor.
<b>TIRE, SPARE CARRIER</b>	Keyed cylinder lock utilizes same key as ignition and door
<b>WHEELS</b>	20" x 9" (50.8 cm x 22.9 cm) Black painted steel

## STANDARD 9C1 MECHANICAL FEATURES

<b>AIR FILTER</b>	High capacity air filter (K47) included with 9C1 Pursuit Package.
<b>ALTERNATOR</b>	220 amp Charging System with Idle Boost increases alternator output at idle with increased electrical load. See Specifications page for Alternator Output Chart.
<b>BATTERY</b>	Heavy-duty 730 cold-cranking amps/80 Amp-hr, maintenance-free with rundown protection and retained accessory power
<b>ENGINE</b>	5 .3L EcoTec3 V8, (355 hp [265 kW] @ 5600 rpm, 383 lb-ft of torque [518 Nm] @ 4100 rpm)
<b>FRAME</b>	Fully-boxed, hydroformed front section
<b>FUEL TANK</b>	Approximately 24 gallons (91 liters)
<b>HILL DESCENT CONTROL</b>	Sets and maintains vehicle speed while driving down steep grades in forward or reverse.
<b>OIL COOLING</b>	External engine oil cooler and auxiliary transmission oil cooler
<b>RADIO SUPPRESSION</b>	The Silverado vehicle systems are designed to prevent unwanted emissions and to minimize susceptibility and maximize immunity to external emissions (Electromagnetic (EMI) or Radio Frequency (RFI) Interference). Most emergency vehicle communications equipment operating at frequencies in the VHF Band (30-300 MHz) and up to frequencies in the UHF Band (300 MHz-3GHz) will function as intended without enhanced noise suppression.
<b>REAR AXLE</b>	3.23 ratio with standard automatic locking differential (G80)
<b>SKID PLATES</b>	Additional underbody shields provided standard with 9C1.
<b>STABILITRAK</b>	Stability control system with Proactive Roll Avoidance and traction control includes electronic trailer sway control and hill start assist. For description see Stability Control and Traction Control section
<b>STEERING</b>	Electric Power Steering (EPS) assist, rack-and-pinion
<b>SUSPENSION, FRONT</b>	Independent, coil over shock, includes 35mm twin tube shock absorbers
<b>SUSPENSION, REAR</b>	2-Stage multi-leaf springs, semi-elliptic
<b>TRANSFER CASE</b>	Two-speed, electronic Autotrac with push button control.
<b>TRANSMISSION</b>	10-speed automatic electronically controlled with steering column mounted shift lever and overdrive and tow/haul mode. Includes Cruise Grade Braking and Powertrain Grade Braking.

<sup>1</sup> Front recovery hooks are for vehicle recovery only. To avoid the risk of injury, never use recovery hooks to tow a vehicle. Never pull on recovery hooks from the side. The hooks could break and you and others could be injured. When using recovery hooks, always pull the vehicle from the front.

## OPTIONAL WORK TRUCK CONVENIENCE PACKAGES (CHOOSE ONE OPTION)

<b>ZLQ</b>	<b>WT FLEET CONVENIENCE PACKAGE</b> - Includes (K34) cruise control and (DLF) power mirrors. Upgradeable to (DPO) trailer mirrors and includes (DD8) auto dimming rearview mirror.
<b>PCV</b>	<b>WT CONVENIENCE PACKAGE</b> - Includes (AKO) tinted windows, (C49) rear window defogger, (K34) cruise control and (DLF) power mirrors upgradeable to (DPO) trailer mirrors.

## OPTIONAL INTERIOR FEATURES

<b>UTQ</b>	<b>ALARM, HORN CONTENT THEFT DETERRENT, DISABLED</b> - Calibration disables the horn for the theft deterrent alarm.
<b>RIA</b>	<b>ALL WEATHER FLOOR LINER</b> - 1st and 2nd rows (includes Chevrolet Bowtie logo). Requires (B30) color-keyed carpeting.
<b>C49</b>	<b>DEFOGGER, REAR WINDOW</b> - Electric
<b>B30</b>	<b>FLOOR COVERING</b> - Color-keyed carpeting. Includes front and rear vinyl floor mats
<b>BCV</b>	<b>LOCK CONTROL REAR DOOR, AUTO DOOR LOCKS DISABLE</b> - Calibration disables auto door locks and is activated through radio or DIC settings.
<b>6N5</b>	<b>REAR DOOR WINDOW SWITCHES INOPERATIVE</b> - Calibration for rear windows to operate from drivers position only. Window lockout switch remains illuminated in all positions when equipped with this feature.
<b>6N6</b>	<b>REAR DOOR LOCKS AND HANDLES INOPERATIVE</b> - Rear power locks are inoperable at rear door but operate from drivers' position, rear doors can be opened only from outside the vehicle. Requires (GEZ) Kerr Industries Ship-thru to mechanically remove hardware linkage.
<b>UD5</b>	<b>FRONT AND REAR PARK ASSIST<sup>1</sup></b> - Front and Rear Park Assist provides alerts of nearby detected vehicles and objects in front of or behind your vehicle to help you park and avoid collisions.
<b>VBJ</b>	<b>REAR UNDERSEAT STORAGE</b> - Composite storage bin (see optional equipment section for illustration)
<b>AMF</b>	<b>REMOTE KEYLESS ENTRY PACKAGE</b> - Includes 4 additional transmitters. Keys will be cut but not programmed. Programming of keys is at customer's expense. Programming keys is not a warranty claim.
<b>5T5</b>	<b>SEATS</b> - Front cloth and second row vinyl.
<b>A2X</b>	<b>SEAT ADJUSTER</b> - Driver 10-way power seat including lumbar. Requires (ZLQ) WT Fleet Convenience Package, (KI4) 120-volt power outlet and (HOU) Jet Black interior.
<b>9L7</b>	<b>UPFITTER SWITCH KIT</b> - Provides three (3) 30amp and two (2) 20amp circuits to facilitate installation of aftermarket electrical accessories. Kit with all required parts will be shipped loose with the truck for installation by the dealer or upfitter. Installation instructions and technical assistance available at <a href="http://www.gmupfitter.com">www.gmupfitter.com</a> .
<b>6J4</b>	<b>WIRING</b> - Horn and siren circuit. Requires Kerr Industries ship thru (GEZ).
<b>6J3</b>	<b>WIRING</b> - Provisions for grille lamps and siren speakers. Requires Kerr Industries ship thru (GEZ).
<b>PQA</b>	<b>WT SAFETY PACKAGE</b> - (UD5) Front and Rear Park Assist <sup>1</sup> , (UKC) Lane Change Alert <sup>1</sup> with Side Blind Zone Alert <sup>1</sup> , (UFB) Rear Cross Traffic Alert- Braking <sup>1</sup> . Includes (V46) Chrome front bumper, (VJH) Chrome rear bumper (DP6) Black high gloss mirror caps (U12) Perimeter Lighting and (KI4) 120-volt power outlet.

## OPTIONAL EXTERIOR FEATURES

<b>VQO</b>	<b>ASSIST STEP</b> - Black work step, Included with (PDW) Assist Step and Tonneau Value Package. Not available with any other assist steps.
<b>VT2</b>	<b>ASSIST STEPS</b> - Black 6" tubular rectangular wheel-to-wheel.
<b>RVQ</b>	<b>ASSIST STEPS</b> - Black 6" tubular rectangular. Not available with any other assist steps
<b>RVS</b>	<b>ASSIST STEPS</b> - Black 4" round. Not available with any other assist steps
<b>CGN</b>	<b>BEDLINER, CHEVYTEC SPRAY-ON</b> - Black (does not include spray-on liner on tailgate due to Black composite inner panel). Not available with (ZW9) pickup bed delete. Not available with any Ship Thrus EXCEPT (VCO), (VDT), (VYC) or (VYS).
<b>V46</b>	<b>BUMPER FRONT</b> - Chrome. Requires (VJH) Chrome rear bumper and (E63) Durabed, pickup bed. Included with (PQA) WT Safety Package.
<b>VJH</b>	<b>BUMPER REAR</b> - Chrome. Requires (V46) Chrome front bumper. Included with (PQA) WT Safety Package.
<b>9G8</b>	<b>DAYTIME RUNNING LAMPS DELETE</b> - Daytime Running Lamps and automatic headlamp control delete, deletes standard Daytime Running Lamps and automatic headlamp control features from the vehicle for police stealth surveillance.
<b>9M4</b>	<b>DECAL AND NAME PLATE DELETE</b> - Tailgate. Deletes all nameplates and decals on the pickup box tailgate. Not available with SEO (8F2) ornamentation delete.
<b>9R1</b>	<b>DECAL DELETE</b> - Pickup box Deletes the "4x4" decal from the side of the pickup box. Requires 4WD models only. Not available with SEO (8F2) ornamentation delete
<b>AKO</b>	<b>GLASS</b> - Deep tinted
<b>6E2</b>	<b>KEY SINGLE</b> - Complete vehicle fleet. Provides a single key with a specific code that is common to the door locks and ignition of all the vehicles in the vehicle fleet. Key code is an alternate to SEO 6E8 complete vehicle fleet common key. Compatible with 2021 or newer Tahoe with option code 6E2. Requires (SAF) spare tire lock, (UTQ) Alarm, Horn Content Theft Deterrent, Disabled and Government type order.
<b>6E8</b>	<b>KEY SINGLE</b> - Complete vehicle fleet. Provides a single key with a specific code that is common to the door locks and ignition of all the vehicles in the vehicle fleet. Key code is an alternate to SEO 6E8 complete vehicle fleet common key. Compatible with 2021 or newer Tahoe with option code 6E8. Requires (SAF) spare tire lock, (UTQ) Alarm, Horn Content Theft Deterrent, Disabled and Government type order.

<sup>1</sup> Safety or driver assistance features are no substitute for the driver's responsibility to operate the vehicle in a safe manner. The driver should remain attentive to traffic, surroundings, and road conditions at all times. Visibility, weather, and road conditions may affect feature performance. Read the vehicle's owner's manual for more important feature limitations and information.

<b>5H1</b>	<b>KEY EQUIPMENT</b> - Two additional keys for single key system. Provides two additional spare keys for a total of (4). (Keys will be cut but not programmed). Programming of keys is at customer's expense. Programming keys is not a warranty claim.
<b>UF2</b>	<b>LED CARGO AREA LIGHTING</b> - Located in pickup bed, activated with switch on center switch bank or key fob
<b>VK3</b>	<b>LICENSE PLATE KIT</b> - Front (will be shipped to orders with ship-to states that require front license plate)
<b>DP6</b>	<b>MIRROR CAPS, PAINTED</b> - Body-color. High gloss Black Included and only available with (PQA) WT Safety Package.
<b>DPO</b>	<b>MIRROR OUTSIDE POWER ADJUSTABLE</b> - Adjustable vertical trailing with heated upper glass, lower convex mirrors, integrated turn signals, clearance lamps, and auxiliary lighting. Manual folding/extending.
<b>QK2</b>	<b>MULTI-FLEX TAILGATE</b> - Six function gate (Primary, easy access, load stop, full width step, inner gate load stop, inner gate work surface).
<b>8F2</b>	<b>ORNAMENTATION, DELETE</b> - Deletes decals and nameplates on truck exterior
<b>9V5</b>	<b>PAINT</b> - Solid, Woodland Green All normally body colored non-sheet metal parts will be Black May require extended lead time. Door handles and mirrors will be grain Black Deletes standard/packaged body side moldings. Requires (TGK) Special Paint and (01U) Special Paint.
<b>9W3</b>	<b>PAINT</b> - Solid, Wheatland Yellow. All normally body colored non-sheet metal parts will be Black May require extended lead time. Door handles and mirrors will be grain Black Deletes standard/packaged body side moldings. Requires (TGK) Special Paint and (01U) Special Paint.
<b>9W4</b>	<b>PAINT</b> - Solid, Tangier Orange. All normally body colored non-sheet metal parts will be Black May require extended lead time. Door handles and mirrors will be grain Black Deletes standard/packaged body side moldings. Requires (TGK) Special Paint and (01U) Special Paint.
<b>SFW</b>	<b>REAR BACKUP ALARM CALIBRATION</b> - This calibration will allow installation of an aftermarket back-up alarm by disabling rear perimeter lighting. Not available with SEO (8S3) backup alarm.
<b>8S3</b>	<b>REAR BACKUP ALARM 97 DECIBELS</b> - Not available with SEO (SFW) backup alarm.
<b>01U</b>	<b>SPECIAL EXTERIOR COLOR</b> - All normally body colored non-sheet metal parts will be black including front fascia, cab spoiler on Double & Crew cabs and LT trim door handles. May require extended lead time.
<b>VQK</b>	<b>SPLASH GUARDS, MOLDED</b> - Black (see optional equipment section for illustration)
<b>7X2</b>	<b>SPOTLAMPS</b> - Left and right-hand pillar mounted, LED. Requires (GEZ) Kerr Industries ship thru.
<b>7X3</b>	<b>SPOTLAMP</b> - Left-hand pillar mounted, LED. Requires (GEZ) Kerr Industries ship thru.
<b>7X6</b>	<b>SPOTLAMP</b> - Left-hand pillar mounted, Halogen. Requires (GEZ) Kerr Industries ship thru.
<b>7X7</b>	<b>SPOTLAMPS</b> - Left and right-hand pillar mounted, Halogen. Requires (GEZ) Kerr Industries ship thru.
<b>Z7X</b>	<b>SUSPENSION</b> - Z71 Off-Road equipment with 2" lift. Includes monotube shocks, (JHD) Hill Descent Control, (NZZ) skid plates, (K47) heavy-duty air filter and Z71 hard badge.
<b>VPB</b>	<b>TONNEAU COVER, PREMIUM SOFT</b> - Roll-up. Not available with any other tonneau cover.
<b>5JY</b>	<b>TONNEAU COVER, SOFT</b> - Tonneau cover by Advantage. Not available with any other tonneau cover.
<b>VOZ</b>	<b>TONNEAU COVER, HARD</b> - Folding tonneau cover by REV. Not available with any other tonneau cover.
<b>SFE</b>	<b>WHEEL LOCKS</b> - Set of 4
<b>5Z4</b>	<b>WHEEL, SPARE</b> - Carrier and lock delete. Deletes the base spare wheel, carrier and lock. Does not delete jack or tools. Requires SEO (9L3) spare tire delete. Not available with (RC3). Tires, 265/70R17 all-terrain, blackwall.

## OPTIONAL MECHANICAL FEATURES

<b>K05</b>	<b>ENGINE BLOCK HEATER</b>
<b>Z82</b>	<b>TRAILERING PACKAGE</b> - Includes trailer hitch, 7-pin and 4-pin connectors and (CTT) Hitch Guidance

AVAILABLE EXTERIOR COLORS ACTUAL COLORS MAY VARY

 G7C Red Hot	 G6M Dark Ash Metallic	 GAZ Summit White	 GNO Slate Gray Metallic	 GBA Black
 GLT Glacier Blue Metallic*	 GXD Sterling Gray Metallic	 GAO Northsky Blue Metallic	 GXP Lakeshore Blue Metallic	

\*Available at extra charge.

SEO PAINT AVAILABLE ACTUAL COLORS MAY VARY

 Woodland Green (9V5) WA-9015	 Doeskin Tan WA-9403	 Wheatland Yellow (9W3) WA-253A	 Tangier Orange (9W4) WA-9417	 Unripened Green Metallic WA-136X
 Indigo Blue WA-9792	 Lt. Autumnwood Metallic WA-228A	 Pewter WA-382E	 Dark Toreador Red WA-334D	 Orange WA-770H
 Orange WA-9419	 Yellow WA-5248	 Yellow WA-5445	 Yellow WA-5456	 Silver Ice Metallic WA-636R
 Blue WA-454N	 Blue WA-5405	 Arrival Blue Metallic WA-815K	 Blue WA-7154	 Green WA-7927

NOTE:  
 • Actual color may vary  
 • GM will require 5 orders before sending to the plant  
 • May require extended lead time.

AVAILABLE INTERIOR COLOR ACTUAL COLORS MAY VARY

 H2G Jet Black Vinyl	 H1T Jet Black Cloth
---	---

## SPECIFICATIONS

## 5.3L ENGINE (L84) WITH 10-SPEED TRANSMISSION (M12)

**Z7X 4WD**

Top Speed <sup>1</sup> (mph/kph)	114/183.5
Distance to reach Top Speed <sup>1</sup> (miles)	0.48
Acceleration <sup>1</sup> 0-20 mph (sec.)	1.81
Acceleration <sup>1</sup> 0-30 mph (sec.)	2.82
Acceleration <sup>1</sup> 0-40 mph (sec.)	4.14
Acceleration <sup>1</sup> 0-50 mph (sec.)	5.54
Acceleration <sup>1</sup> 0-60 mph (sec.)	7.24
Acceleration <sup>1</sup> 0-70 mph (sec.)	9.22
Acceleration <sup>1</sup> 0-80 mph (sec.)	11.62
Acceleration <sup>1</sup> 0-90 mph (sec.)	14.49
Acceleration <sup>1</sup> 0-100 mph (sec.)	18.28
Distance to reach 100 mph <sup>1</sup> (miles)	0.32

**Z71 4WD**

Top Speed <sup>1</sup> (mph/kph)	114/183.5
Distance to reach Top Speed <sup>1</sup> (miles)	0.49
Acceleration <sup>1</sup> 0-20 mph (sec.)	1.86
Acceleration <sup>1</sup> 0-30 mph (sec.)	2.86
Acceleration <sup>1</sup> 0-40 mph (sec.)	4.21
Acceleration <sup>1</sup> 0-50 mph (sec.)	5.63
Acceleration <sup>1</sup> 0-60 mph (sec.)	7.39
Acceleration <sup>1</sup> 0-70 mph (sec.)	9.38
Acceleration <sup>1</sup> 0-80 mph (sec.)	11.79
Acceleration <sup>1</sup> 0-90 mph (sec.)	14.62
Acceleration <sup>1</sup> 0-100 mph (sec.)	18.28
Distance to reach 100 mph <sup>1</sup> (miles)	0.32

**4WD**

Model	CK10543 Short Box
Projected top speed in reverse (without equipment or payload)	37mph/60kph

**EPA-ESTIMATED MPG GASOLINE FUEL ECONOMY RATINGS**

5.3L gas engine 4WD (City/Highway/Combined)	TBD
5.3L gas engine 4WD with Z7X 2" lift (City/Highway/Combined)	TBD

Note: EPA-ESTIMATED ratings are official, not estimate based on GM testing

**VEHICLE WEIGHT (LBS./KG.)**

Seating capacity (F/R)	3/3
GVWR <sup>3</sup> (Gross Vehicle Weight Rating)	7100/3220
FGAWR (Front Gross Axle Weight Rating)	3800/1724
RGAWR (Rear Gross Axle Weight Rating)	2060/935
GCWR <sup>4</sup> (Gross Combination Weight Ratings)	15000/6803
Maximum Payload <sup>5</sup>	1860/844
Base curb weight	5201/2359
Maximum Trailing Capacity <sup>6</sup>	9400/4264

**PASSENGER COMPARTMENT VOLUME (cu.ft./liters)**

	<b>CK10543</b>
Passenger Volume	129.8/3636

**FRONT COMPARTMENT (in./mm)**

	<b>CK10543</b>
Head room	43.03/1093
Shoulder room	66.02/1677
Hip room	61.18/1554
Leg room	44.53/1131

**REAR COMPARTMENT (in./mm)**

	<b>CK10543</b>
Head room	40.12/1019
Shoulder room	65.16/1655
Hip room	60.24/1530
Leg room	43.4/1102

**EXTERIOR (in./mm)**

	<b>CK10543</b>
Wheelbase	147.43/3745
Overall length	231.7/5885
Body width (without mirrors)	81.24/2063
Overall height*	75.51/1918
Front bumper to back of cab	150.9/3833
Inside length of box at floor	69.92/1776
Inside height, bed	22.4/569
Inside bed width	71.4/1814
Inside width, between Wheel housing, Fleetside	50.63/12866
Turning radius, ft./m	46.9/14.3
Ground clearance,*	10.9/277
Forcing depth*	22/559

\*Published dimensions indicated are at Base Curb Weight.

1. Based on 2024MY Michigan State Police Vehicle Test Results. All vehicles tested with clean roof and no additional equipment or added ballast. Adding non dealer accessories or making modifications to the vehicle can affect vehicle performance, aerodynamics, overall top speed and acceleration. 2. Cargo and load capacity limited by weight and distribution. 3. Gross Vehicle Weight Rating (GVWR). When properly equipped, includes vehicle, passengers, cargo and equipment. 4. Maximum Gross Combined Weight Rating (GCWR). When properly equipped; includes weight of the vehicle and trailing combination, including the weight of driver, passengers, fuel, optional equipment and cargo in the vehicle and trailer. 5. These maximum payload ratings are intended for comparison purposes only. Before you buy a vehicle or use it to haul people or cargo, carefully review the vehicle loading section of the Owner's Manual and check the carrying capacity of your specific vehicle on the label on the inside of the driver's door jamb. 6. Before you buy a vehicle or use it for trailering, carefully review the Trailering section of the Owner's Manual. The weight of passengers, cargo and options or accessories may reduce the amount you can tow. 7. Published dimension indicated is from ground and without optional equipment or accessories. Additional accessories or equipment ordered at the customer's request can result in a minor change in this dimension.

## SPECIFICATIONS

### 5.3L ENGINE (L84) WITH 10-SPD TRANS (M12)

ENGINE	STANDARD
Type	EcoTec3 V8
Displacement: liters/cu. in.	5.3/325
Horsepower/rpm	355 @ 5600
Torque lb.-ft./rpm	383 @ 4100
Induction system	Direct Injection
Compression ratio	11.0:1
Exhaust	Single
Minimum recommended fuel octane	87
Fuel capacity, approximate, gallon/liters	24/91
Oil with filter (quarts/liters)	8.5/8
Cooling capacity (quarts/liters)	17.4/16.5

TRANSMISSION	
Automatic electronic with overdrive and grade braking	10-Speed

AXLE	
Ratio	3.23

BRAKES	
eBoost ABS	Disc/Disc
Front-swept area (sq. in./sq. cm)	288.5/1861.2
Rear-swept area (sq. in./sq. cm)	263.7/1701.6
Front rotor diameter (in./mm)	16.1/410
Rear rotor diameter (in./mm)	13.58/345
Front rotor thickness (in./mm)	1.26/32
Rear rotor thickness (in./mm)	0.79/20
Projected stopping distance with Z7X suspension <sup>1</sup>	144.2ft.@60.0 mph
Projected stopping distance with Z71 suspension <sup>1</sup>	144.9ft.@60.0 mph

TIRES	
Type	All Terrain, Blackwall
Size	275/60R20

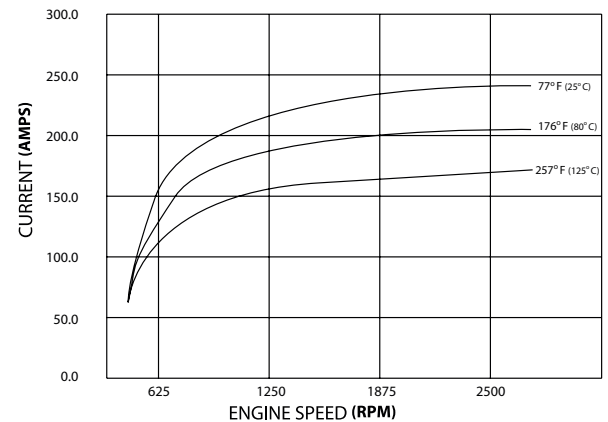
WHEELS	
Type	Painted Steel
Size	20"x9"

CHASSIS	
Frame	Full perimeter steel
Front suspension	Coil over shock with 35mm twin tube shocks
Rear suspension	2-stage multi-leaf springs, semi-elliptic
Steering type	Electric Rack and Pinion
Steering ratio	NA

BATTERY	
Type	Maintenance free
BCI group size	LN3
Volts	12
Amp hour rating	70
Cold cranking-amps @ 0°F (-18°C)	730

ALTERNATOR	
Type	MELCO GX9
Amps	77°F (25°C) 220

### SILVERADO PPV ALTERNATOR OUTPUT



BOOST LEVEL	PARK/NEUTRAL	DRIVE
Normal Idle	550	550
1	800	650
2	800	725
3	1000	800

### TRAILERING SPECIFICATIONS - Automatic Transmission Ratings with Ball Hitch (L84) 5.3L EcoTec3 V8 DI VVT aluminum block

MODEL	AXLE RATIO	MAXIMUM TRAILER TOWING LBS. (KG)
CK10543	3.23	9300 (4218)

Maximum Trailer Towing Rating is calculated based on SAE J2807 (Base vehicle plus one driver plus one passenger plus options). The weight of other optional equipment, passengers and cargo will reduce the Maximum Trailer Towing your vehicle can tow.

### GCWR For Engine/Rear Axle Ratio Combination - Automatic Transmission

MODEL	(GCWR) GROSS COMBINATION WEIGHT RATINGS LBS. (KG)
(L84) 5.3L EcoTec3	3.23 15000 (6804)

<sup>1</sup> Based on 2024MY Michigan State Police Vehicle Test Results. All vehicles tested with clean roof and no additional equipment or added ballast. Adding non dealer accessories or making modifications to the vehicle can affect vehicle performance, aerodynamics, overall top speed and acceleration.



## POWERTRAIN

ENGINE				TRANSMISSION		AXLE	
OPTION CODE	TYPE	DISPLACEMENT SYSTEM	FUEL CODE	OPTION CODE	TYPE	OPTION	RATIO
L84	V8	5.3/325	DI, Active Fuel Management	MI2	10-Speed auto w/OD and grade braking	GU6	3.23

## EMISSIONS - MUST BE SPECIFIED

<b>FE9</b>	<b>Emissions</b> , Federal requirements
<b>YF5</b>	<b>Emissions</b> , California state requirements
<b>NE1</b>	<b>Emissions</b> , Connecticut, Delaware, Maine, Maryland, Massachusetts, New Jersey, New York, Oregon, Pennsylvania, Rhode Island, Vermont and Washington state requirements
<b>NB8</b>	<b>Emissions override</b> , California (allows a dealer in states that require California emissions - California, Connecticut, Delaware, Maryland, Massachusetts, New Jersey, New York, Oregon, Pennsylvania, Rhode Island or Washington - to order Federal emissions for a vehicle that will be registered in a state that has Federal emission requirements). Do not use for vehicles that will be registered in California, Connecticut, Delaware, Maryland, Massachusetts, New Jersey, New York, Oregon, Pennsylvania, Rhode Island or Washington. Requires (FE9) Federal emissions requirements. Not available in Maine or Vermont.
<b>NB9</b>	<b>Emissions override</b> , state-specific (for dealers ordering vehicles in (YF5) or (NE1) emission states - California, Connecticut, Delaware, Maine, Maryland, Massachusetts, New Jersey, New York, Oregon, Pennsylvania, Rhode Island, Vermont and Washington) Allows a California dealer (YF5 emissions) to order (NE1) emissions with (NB9) emissions override code for registration in (NE1) states; or, a Connecticut, Delaware, Maine, Massachusetts, New Jersey, New York, Oregon, Pennsylvania, Rhode Island, Vermont and Washington dealer (NE1 emissions) to order (YF5) emissions with (NB9) emissions override code for registration in California.
<b>NC7</b>	<b>Emissions override</b> , Federal (for vehicles ordered by dealers in Federal emission states with (YF5) or (NE1) emissions - Not required for vehicles being shipped to California, Connecticut, Delaware, Maine, Maryland, Massachusetts, New Jersey, New York, Oregon, Pennsylvania, Rhode Island, Vermont or Washington) Requires (YF5) California state emissions requirements or (NE1) Connecticut, Delaware, Maine, Massachusetts, New York, Pennsylvania, Rhode Island or Vermont state emission requirements.

NOTE: The 2024 Chevrolet Silverado Special Service Vehicle with the 5.3L Engine (L84) with Emission Option Codes:  
 FE9 NAME CERTIFICATION EMISSION, FEDERAL  
 NE1 NAME CERTIFICATION EMISSION, GEOGRAPHICALLY RESTRICTED  
 YF5 NAME CERTIFICATION EMISSION, CALIFORNIA is certified to EPA Tier 3 BIN 70 standards and qualifies as ULEV 70 (Ultra Low Emission Vehicle) under California Air Resources Board (CARB) requirements, meaning it is 50-state certified.  
 EPA engine family or test group: MGMXT05.3388

## TIRES

MANUFACTURER	QUANTITY	SIZE	SPEED RATING	TYPE
Firestone	5	275/55R20	S	All Terrain BW

### 2024 SILVERADO PPV SPEEDOMETER CERTIFICATION CALIBRATION

To Whom It May Concern:

The speedometer system in the 2024 model year and Silverado PPV is accurate to +/- 2mph in the temperature range of -23 to 49 °Celsius (-10 to 120 ° Fahrenheit) over the useful life of the vehicle. The speedometer system includes the vehicle integrated speed measurement system and indication of the vehicle speed on the speedometer.

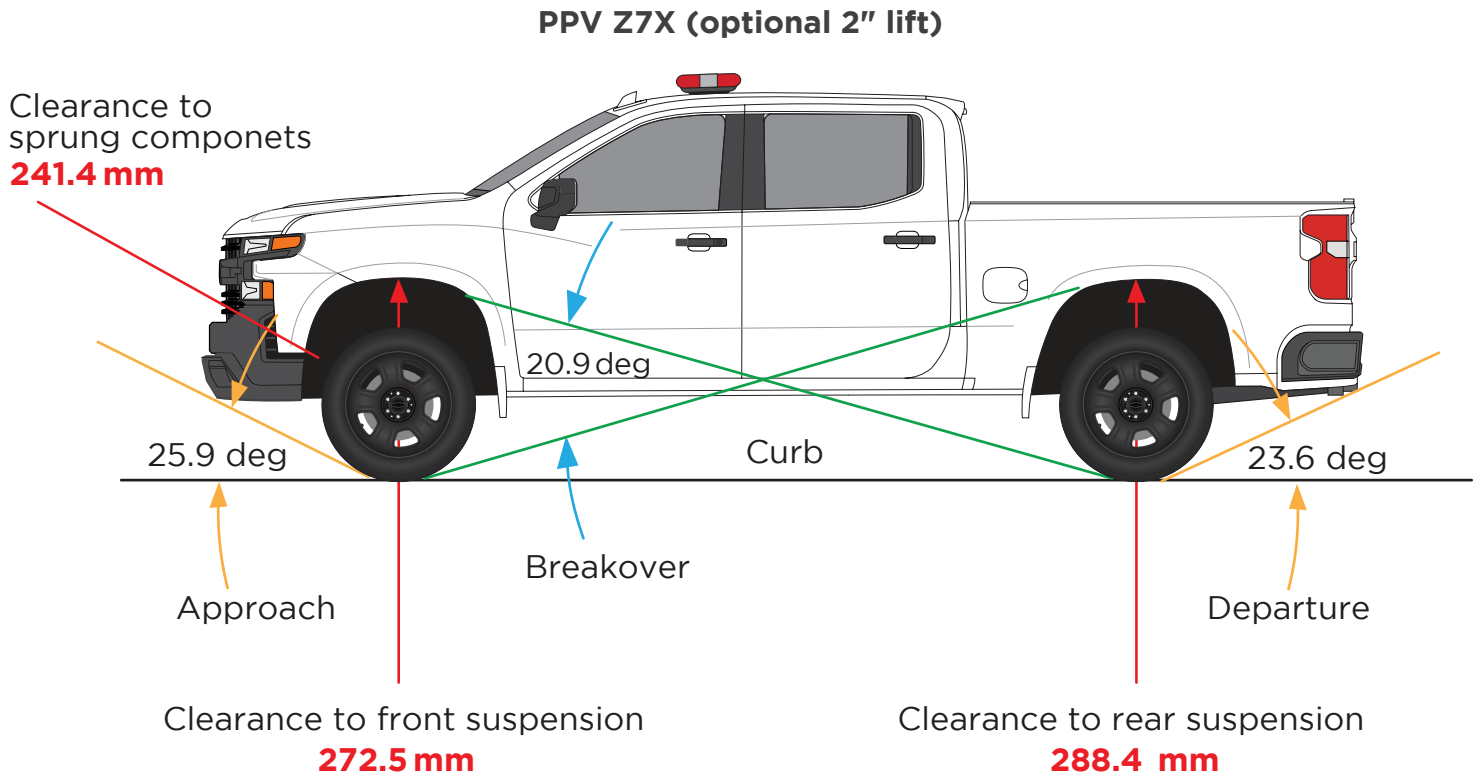
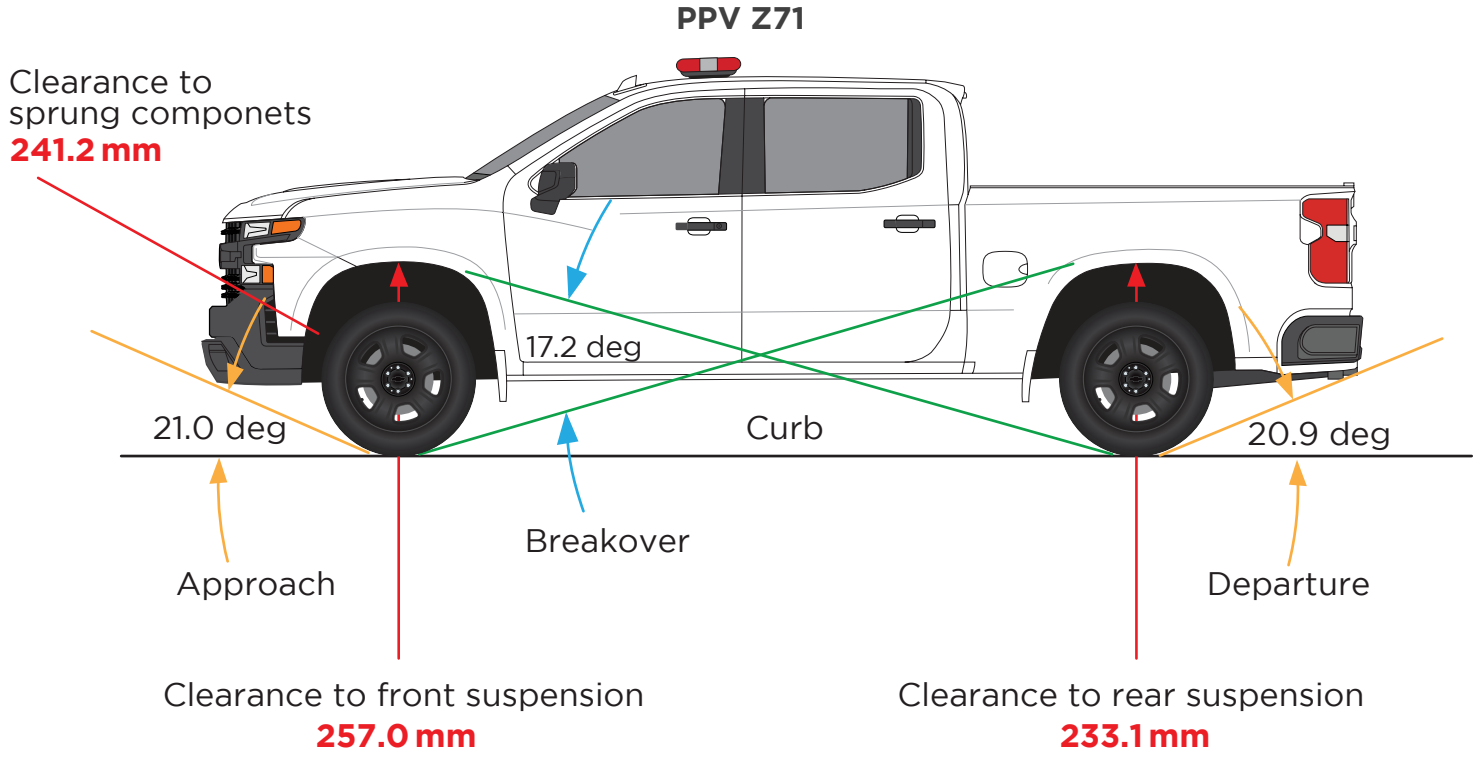
GM specified vehicle maintenance is required to maintain the stated accuracy of the speedometer system. The accuracy of the speedometer system is dependent on and affected by the required vehicle maintenance including; following placard tire inflation pressure of 35 psi, monitoring tire wear as directed by the owner's manual, tire replacement with 275/55 R-20 Firestone tire size and manufacture, maintaining original OEM driveline ratios, maintaining original OEM electronic module calibration files and following vehicle loading limitations.

Regards,

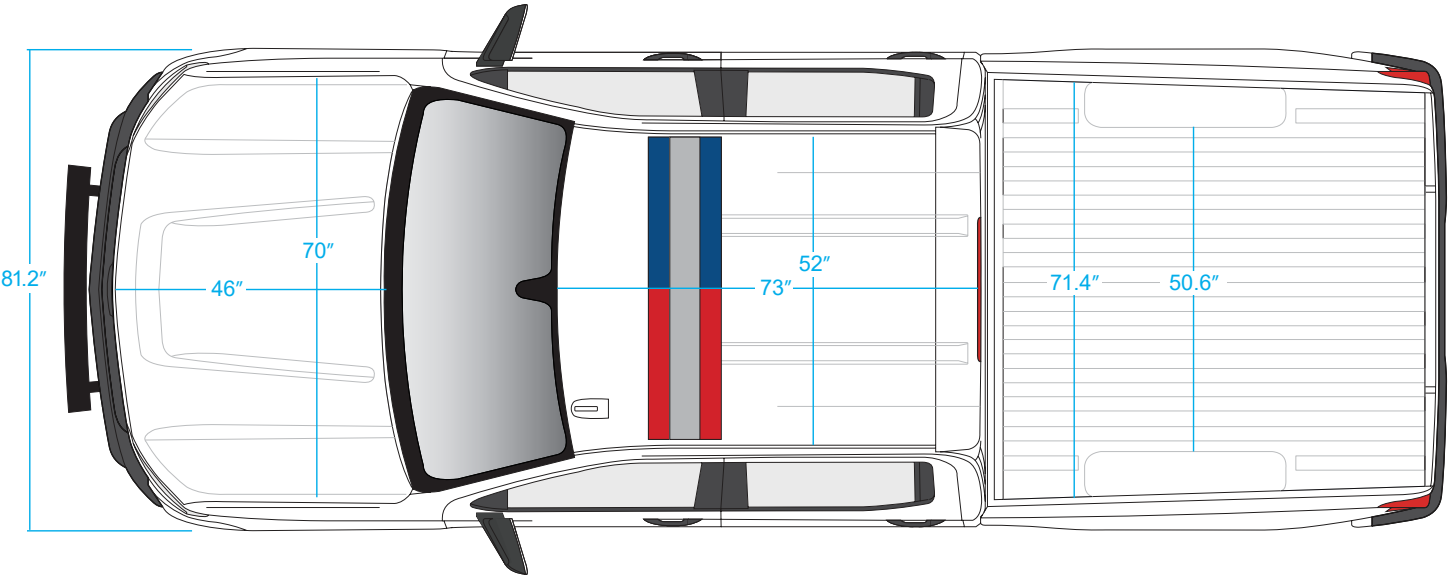
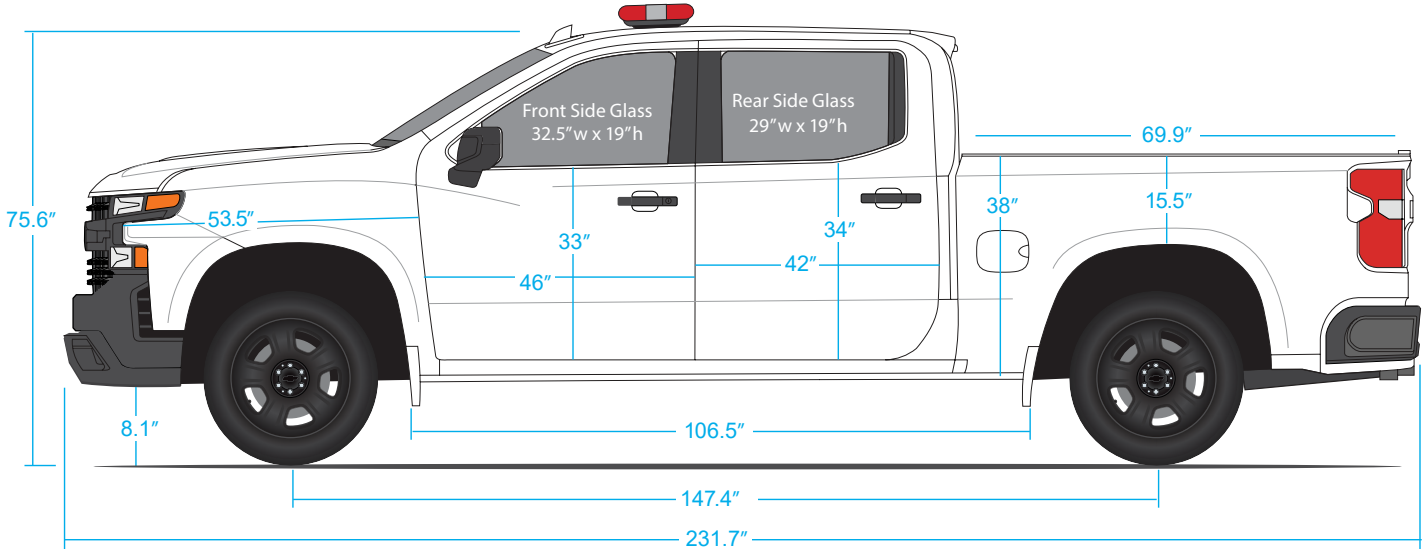


Sean O'Shae  
 Police Vehicle Program Engineering  
 Manager

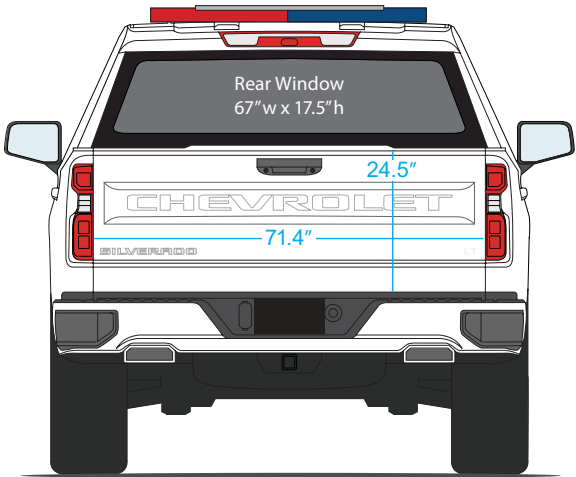
### APPROACH AND DEPARTURE ANGLES



**DIMENSIONS PPV SHORT BED**



- Estimated material sizes to wrap:**
- Hood - 72" x 50"
  - Front Doors - 50" x 36"
  - Rear Doors - 45" x 37"
  - Roof - 75" x 54"
  - Tailgate - 69" x 26"



## STANDARD SUSPENSION



## OPTIONAL Z7X 2" SUSPENSION LIFT



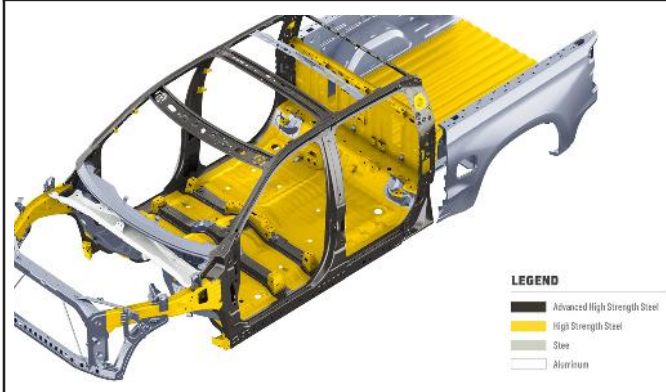
# BODY, CAGE, UNDERBODY AND FRAME MATERIAL

## BODY



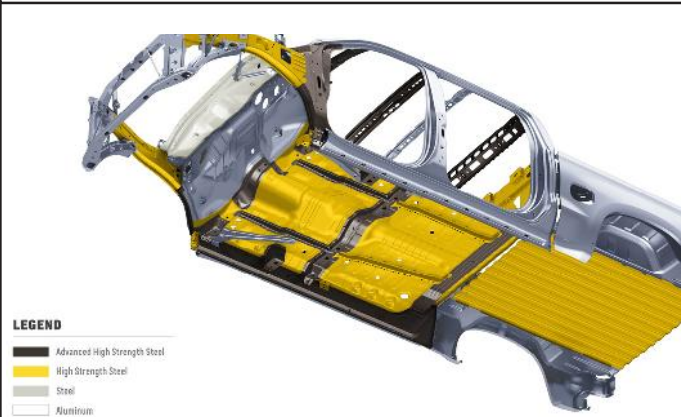
The 2024 Chevrolet Silverado is up to 450 pounds lighter than the previous model through the use of mixed materials. Featuring fixed steel body components and aluminum swing panels (doors, hood, tailgate) the body is up to 88 pounds lighter

## CAGE



The 2024 Chevrolet Silverado is 450 pounds lighter than the prior model due to the extensive use of mixed materials. The underlying safety cage features significant use of advanced high strength steels, each tailored for the specific application.

## UNDERBODY



The 2024 Chevrolet Silverado is up to 450 pounds lighter than the previous model due to extensive use of mixed materials.

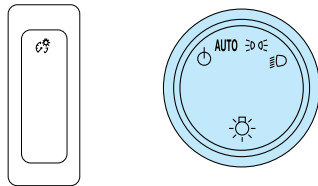
## FRAME



The 2024 Chevrolet Silverado features a fully boxed steel frame that is 88 pounds lighter than its predecessor, while offering 10 percent greater torsional rigidity. Eighty percent of the frame is made of high-strength steel varying from 2 to 5 millimeters in thickness, and every millimeter is optimized for performance using a variety of processes, including hydroforming, roll forming, conventional stamping and tailor-rolled blanking.

# STANDARD FEATURES

## SURVEILLANCE FEATURE 5J3 MANUAL LAMP CONTROL 9G8



The headlamp control on the driver's side of the instrument panel operates the exterior lamps. If your Silverado does not have option 9G8, DELETE DAYTIME RUNNING LAMPS and AUTOMATIC HEADLAMPS, the Daytime Running Lamps and Automatic Headlamps can be turned OFF for one ignition cycle by rotating the headlamp control knob momentarily counter-clockwise. See your Silverado Owner's Manual.

Surveillance Feature: The Body Control Module (BCM) is calibrated to provide disabling of the exterior and interior automatic lighting. The BCM is located under the instrument panel to the left side of the steering column.

The Surveillance Feature can be activated by installing a terminated wire in cavity 20 of the BCM connector X3. When a customer-provided terminated wire, e.g., GM T/L 19370262, is installed in X3-20 and the wire is connected to vehicle ground via a customer switch, automatically controlled lighting is disabled or dimmed to Federally regulated level. BCM connector X3 is shown below.

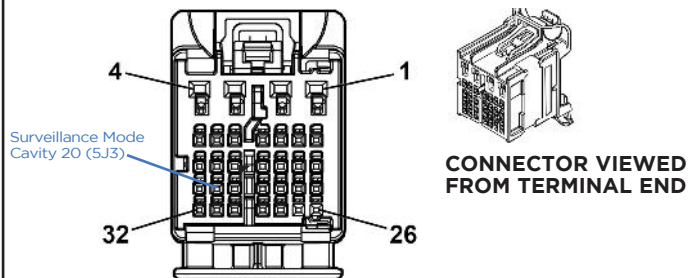
Option SEO 9G8 - Delete Daytime Running Lamps and Automatic Headlamps. This option disables the Daytime Running Lamps and Automatic Headlamps control feature. Exterior lamps are only manually controlled (Option 9G8 is not available in Canada).

When the headlamp switch is in Auto with 9G8 installed, the instrument cluster, radio display and air conditioning illumination remains at daytime intensity and are dimmable only when the headlamp switch is rotated to the Parking Lamps or Headlamps positions. If SEO 9G8 is not installed, the displays are dimmable with the Headlamp switch in the AUTO position. The instrument cluster, radio and AC displays will dim if the Surveillance Feature is activated as described above.

Interior courtesy lamps, including dome lamps, can be turned OFF with a three-position switch located in the front overhead console. The interior lamp control positions are: OFF - DOOR - ON

When the switch is in the OFF position, all interior lighting remains off whenever the doors are opened.

NOTE: Wiring connection or splice changes are to be removed before the vehicle is returned to civilian use.



## PROTECTED IDLE

The Protected Idle Feature allows the vehicle to remain idling but will not allow the transmission to be shifted from Park without a valid key fob.

### ACTIVATING PROTECTED IDLE

#### Preconditions (All preconditions must be met.)

- Vehicle is in PROPULSION (engine running) state
- Vehicle is in Parked State
- Vehicle speed is less than 4 kilometers per hour
- Valid key fob is present.

#### Activation

Press and Hold the Cruise Cancel Switch for 2 seconds

#### Vehicle Feedback.

Upon activation of Protected Idle, the Digital Information

Center (DIC) will display the following:

- "Protected Idle ON"
- "Park in Open Area"
- "Take Your Key"

If any of the above preconditions are not met while activating Protected Idle, DIC will display the message: "Protected Idle Unavailable"

### DEACTIVATING PROTECTED IDLE

Valid key fob is present

- Press brake pedal and shift out of Park **OR**
- Press and hold the Cruise Cancel Switch for 2 seconds **OR**
- Press the Ignition Switch with the Brake Pedal pressed.

DIC messages will turn off, indicating Protected Idle is no longer activated.

### CONDITIONS UNDER WHICH THE PROTECTED IDLE WILL TURN OFF AND VEHICLE WILL TRANSITION TO OFF POWER MODE

- Brake pedal pressed without a valid key fob present **OR**
- Cruise Cancel Switch depressed without a valid key fob present **OR**
- Ignition Switch pressed without a valid key fob present **OR**
- With a valid key fob present, ignition switch is pressed and brake pedal is not pressed (the system treats this action as a customer request to turn OFF the vehicle.) **OR**
- Engine stalls. Horn chirps occur. **OR**
- Low fuel condition. Horn chirps occur.

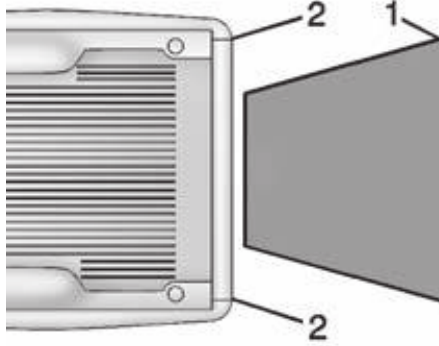
### CONDITIONS UNDER WHICH THE PROTECTED IDLE WILL TURN OFF AND VEHICLE WILL TRANSITION TO RUN POWER MODE.

If the Shift Lock mechanism is defeated and shifted Out of Park while the Protected Idle is active, the vehicle will transition to the RUN power mode (the engine will be turned off) and Protected Idle will be deactivated and Horn chirps occur. DIC messages will turn off indicating Protected Idle is inactive.

**ALWAYS PROPERLY SUPERVISE A VEHICLE WHEN PEOPLE OR ANIMALS ARE INSIDE WHEN THE ENGINE IS IDLING.**

# STANDARD FEATURES

## REAR VISION CAMERA



1. View Displayed by the Camera in infotainment Screen
2. Corners of the Rear Bumper

Displayed images may be farther or closer than they appear. The area displayed is limited and objects that are close to either corner of the bumper or under the bumper do not display.

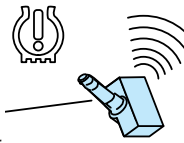
When the vehicle is in R (Reverse), at low speeds the RVC displays an image of the area behind the vehicle in the center stack display. The previous screen displays when the vehicle is shifted out of R (Reverse) after a short delay. To return to the previous screen sooner, press a button on the infotainment system, shift into P (Park), or reach a vehicle speed of 8 km/h (5 mph).

**NOTE: The Rear Vision Camera will not work properly if the tailgate is down. If the tailgate is down, do not use this system.**

Safety or driver assistance features are no substitute for the driver's responsibility to operate the vehicle in a safe manner. The driver should remain attentive to traffic, surroundings and road conditions at all times. Visibility, weather, and road conditions may affect feature performance. Read the vehicle's owner's manual for more important feature limitations and information.

## TIRE PRESSURE MONITOR WITH TIRE FILL ALERT

The 2024 Chevy Silverado 9C1 is equipped with a Tire Pressure Monitor System (TPMS) that warns of low tire pressure. The 2024 Chevy Silverado has an optional full size spare (OOA) which includes an unprogrammed tire pressure sensor. Then the optional spare tire from your vehicle or another 2024 Chevy Silverado is placed in use as a road wheel, the TPMS will not read the presence of the new sensor until it is calibrated. Refer to your owner's manual for additional information about calibration of the TPMS. See also the Tire Fill Alert feature.

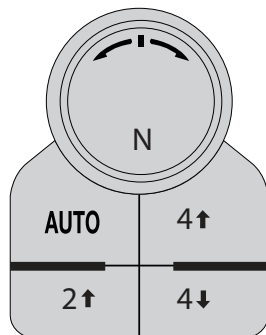


## SERVICE PARTS IDENTIFICATION LABEL



A Service Parts Identification (SPID) Label provides Vehicle Identification Number (VIN)-specific Option Code content list, Engineering Model Number (Nameplate, body style), Exterior paint system, Exterior paint color code and Interior trim level and color.

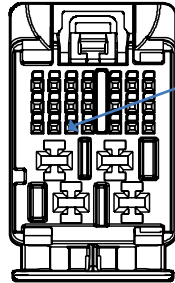
## NQH AUTOMATIC TRANSFER CASE



Active, 2-speed electronic Autotrac with rotary controls, includes neutral position for dingy towing. Use the transfer case knob next to the steering wheel to shift into and out of four-wheel drive.

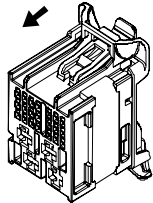
# STANDARD FEATURES

## RADIO MUTE FEATURE<sup>1</sup>



Radio Mute Feature Cavity 19

CONNECTOR VIEWED FROM TERMINAL END

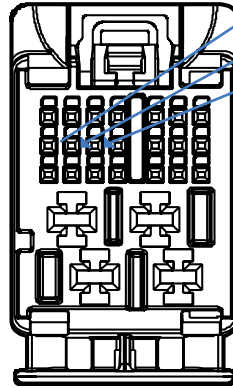


K219 Lighting Control Module X4

The following customer device electrical specifications must be met to avoid damage to the vehicle Exterior Lighting Module (ELM) input circuitry: - No inductance allowed - Maximum Load Capacitance: 600 nano-farads. - Maximum Closed switch contact resistance: 20 ohms - Minimum Open switch contact resistance: 100,000 ohms. The Radio Mute feature function is provided to permit muting of the vehicle radio when an emergency vehicle 2 way radio is transmitting. It can be accessed by using the Crimped wire **GM Service Part Number 19370262** terminal connector, inserted into the ELM connector X4 pin 19. When that inserted wire is grounded, then the radio mute feature is activated.

## 5J9 5L0 6J7

## FRONT AND REAR FLASHERS<sup>1</sup>



Tail Lamp Flasher RED/RED Cavity 12 (5L0)

Tail Lamp Flasher RED/WHITE Cavity 13 (5J9)

Head Lamp Flasher Cavity 14 (6J7)

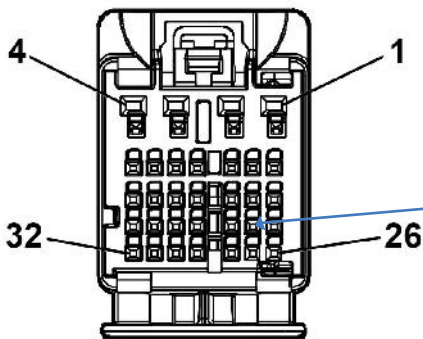
The stop lamps and backup lamps will flash to provide an alternating red/red (5L0) when connected to Cavity 12 or red/white (5J9) when connected to Cavity 13 (5J9)".

The rear lamps flashing mode is interrupted when ever the service brakes are applied.

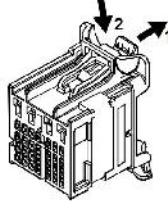
The flashers are activated by a customer-provided switch ground connected at the ELM (Electronic Lamp Module)" connector X4 Cavity 12 (5L0) or Cavity 13 (5J9) and/ or Cavity 14 (6J7). These can be accessed using the **GM Service Part Number 19370262** terminal connector. Before adding the terminated wire leads, remove the terminal lock from the connector.

K219 Lighting Control Module X4  
This harness connector can be found under the dash on far-left side.

## DRIVER DOOR AJAR<sup>1</sup>



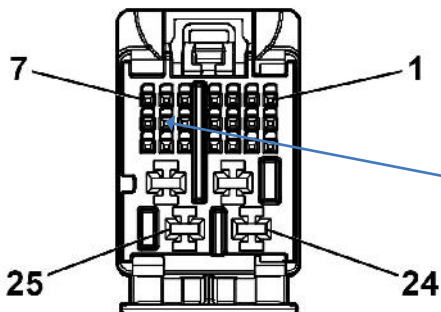
CONNECTOR VIEWED FROM TERMINAL END



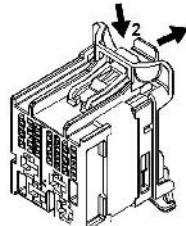
Left Front Door Ajar Switch Cavity 17

The driver door ajar signal can be used to determine when the driver door is ajar. The signal goes high (+12 volts) when the driver's door is opened. It can be accessed by using the crimped wire **GM Service Part Number 19370262** terminal connector. Inserted into the BCM connector X6 pin 17

## OUT OF PARK FEATURE<sup>1</sup>



CONNECTOR VIEWED FROM TERMINAL END



Out of Park Cavity 13

The out of park signal can be used to determine when the transmission gear selector is in park. The signal goes high (+12 volts) when the when shifted out of park. It can be accessed by using the crimped wire **GM Service Part Number 19370262** terminal connector. Inserted into the BCM connector X1 pin 13

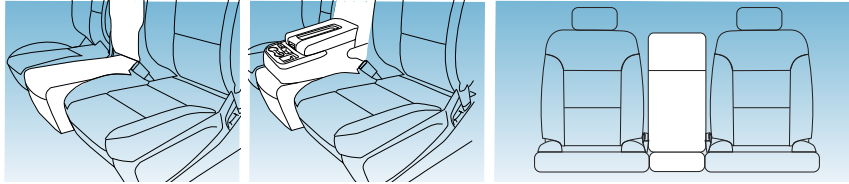
1. Wiring connection or splice changes are to be removed before the vehicle is returned to civilian use.



## FRONT SEATS AND INTERIOR TRIM

### STANDARD FRONT ROW SEATING

**STANDARD (AZ3) - 40/20/40 SPLIT-BENCH IN VINYL TRIM** 3-passenger, driver and front passenger manual recline with outboard head restraints, fold-down armrest with storage and fixed lumbar. Driver and front passenger seat adjuster are 4-way manual. Cloth trim and (A2X) 10-way power driver seat including lumbar is available and requires (ZLQ) WT Fleet Convenience Package.



Seat Code	Seat Trim	Color	Color Code
AZ3	Vinyl	Jet Black	H2G
AZ3	Cloth	Jet Black	HOU

A2X Driver 10-way power seat including lumbar. Requires (ZLQ) WT Fleet Convenience Package.

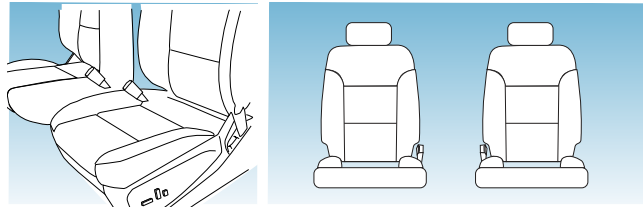
5Y1

### OPTIONAL FRONT ROW SEATING

**20% FRONT CENTER SEAT DELETE WITH CLOTH 40/40 INDIVIDUAL SEATS (AZ3 & OPTION 5Y1)**

Deletes center seat to provide 15" of open floor space between driver and passenger seats. STANDARD 10-way power driver seat includes power lumbar with power recline and STANDARD 8-way power passenger seat with power lumbar.

A separate cable and connection kit for the 120v auxiliary power is provided loose in the vehicle when center seat is deleted.



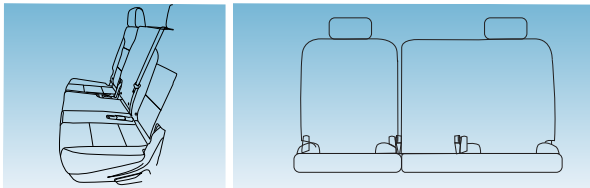
Seat Code	Seat Trim	Color	Color Code
AZ3 & 5Y1	Cloth	Jet Black	HOU

- Front cloth and vinyl rear seat combination is available by ordering option 5T5 and requires Jet Black (HOU)
- Requires (BG9) Black rubberized vinyl floor covering

## REAR SEATS AND INTERIOR TRIM

### STANDARD SECOND ROW SEATING

**STANDARD - A68 VINYL REAR SEAT** Vinyl rear bench 60/40 split-folding seat.

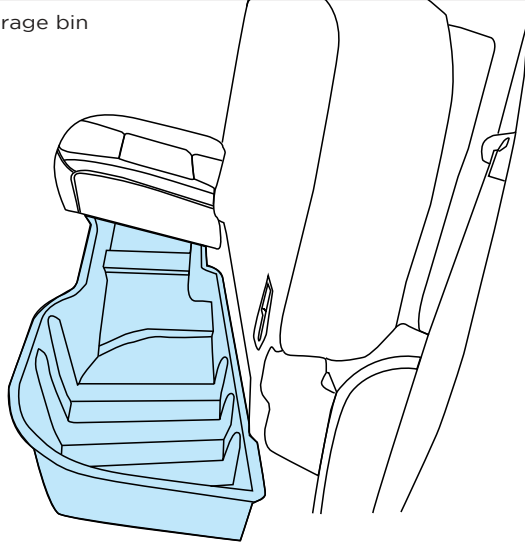


Seat Code	Seat Trim	Color	Color Code
A68	Vinyl	Jet Black	H2G
A52	Cloth	Jet Black	HOU

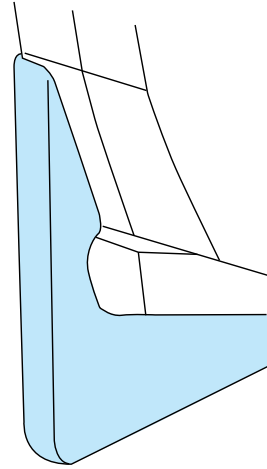
## OPTIONAL FEATURES

### VBJ REAR UNDERSEAT STORAGE

Composite storage bin



### VQK SPLASH GUARDS, MOLDED



Black finish

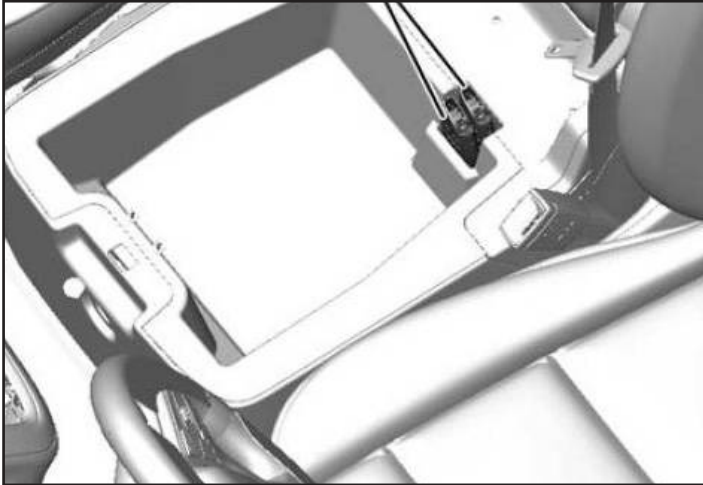
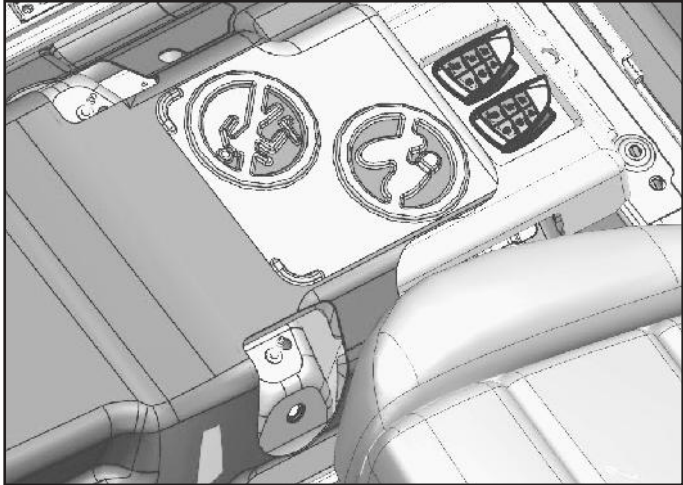
GM PART  
19417361

### REAR UNDER SEAT COMBINATION LOCK BOX



3,700 cubic inches of storage, 16-gauge steel construction, 3-digit combination with custom hook-cam. Marine-grade carpet lining with weather and dust seal. Pin-lock hinge design, no drilling required for installation.

## OPTIONAL FEATURES

<b>AMF</b>	<b>PACKAGE OF FOUR UNPROGRAMMED KEYS/FOBS</b>	
<p>An unlimited number of KEYS/FOBS can be learned for Keyless start and Keyless open, only the last 8 KEYS/FOBS learned will have the key fob buttons work for that vehicle. The programming procedure for SEO AMF KEYS/FOBS requires that one previously learned key fob be present in the vehicle. One learned key fob is required for this procedure.</p> <p><b>NOTE:</b> If a previously learned key fob is not available, the programming of the new KEYS/FOBS must be performed by a dealer using the Service Programming System (SPS). Key fob programming is not a warranty item and programming is conducted by the customer or at a dealer at customer expense.</p>		
<p><b>PROGRAMMING PROCEDURE:</b></p> <ol style="list-style-type: none"> <li>1. Using the learned key fob, turn the ignition ON. The transmission selector must be in PARK.</li> <li>2. Using the SELECT and other buttons on the right side of the steering wheel, open the Driver Information Center (DIC) Main Menu. Scroll down to Main Menu item OPTIONS with the lower steering wheel button and then SELECT. Scroll to REMOTE KEY RELEARN and Select START. The DIC will display LEARNING ACTIVE.</li> <li>3. For vehicles equipped with AZ3 front row seating place the FOBs in the pocket inside the center seat console. For vehicle equipped with 5Y1 front row center 20% seat/console delete place the FOBs on top of the the SDM cover.</li> <li>4. Press the start button to learn the key fob. The DIC will display "ready for Key #" where # is the next key fob to be learned.</li> <li>5. Verify that key fob is learned by operating the door locks remotely.</li> <li>6. Repeat Step 3 through 5 to learn the next key fob.</li> <li>7. To exit key fob learning mode, press and hold the start button for approximately 15 seconds.</li> </ol>		
<div style="display: flex; justify-content: space-around;"> <div style="text-align: center;"> <p>With AZ3 Center Seat Console</p>  </div> <div style="text-align: center;"> <p>With 5Y1 No Center Seat</p>  </div> </div>		

<b>6E2</b>	<b>FLEET KEY &amp; REMOTE FOB</b>	<b>6E8</b>
<p>The fleet key fob feature allows the user to program a fob to be recognized by a particular vehicle for full remote functionality (Lock/Unlock and Remote Start if equipped). Use of this remote on other fleet keyed-a-like vehicles will be limited to unlocking the driver's door by pressing the exterior door handle button and starting the vehicle once inside. The remote lock/unlock and remote start (if equipped) buttons will not function unless the operator uses the Diver Information Center (DIC) to program the newly introduced fob. Note that a vehicle is only capable of recognizing the last 8 key fobs programmed for full remote capability. Adding a 9th remote fob will bump fob #1 remote functionality until it is reprogrammed through the DIC, adding remote #1 back into the DIC will bump fob #2 remote button functionality, etc. There are no limitations to the amount of fleet keys that will be recognized to access and start the vehicle. Programming a newly introduced fleet fob through the DIC is required to use the Protected Idle feature. Requires AMF..</p>		

1. Never pull on recovery hooks from the side. The hooks could break and you and others could be injured. When using recovery hooks, always pull the vehicle from the front.

## OPTIONAL FEATURES

QK2

### MULTI-FLEX TAILGATE



Six function gate (Primary, easy access, load stop, full width step, inner gate load stop, inner gate work surface)



## OPTIONAL FEATURES



ACCESSORIES

PART NO:19421491



### Short Bed Truck Bed Storage System By Decked - Associated Accessories

- Features smooth-rolling, secure drawers with customizable storage options that still allow use of the cargo area
- High-density polyethylene construction with treated steel subframe, aluminum and stainless steel hardware
- Custom fit requires no drilling or modification of the truck bed
- Durable weather-resistant design keeps cargo safe and secure from the elements
- 2,000-lb. top deck payload capacity preserves the full footprint of your cargo area
- 200-lb. payload capacity per drawer
- Includes 1 Desert Tan D-Box, 1 Desert Tan Crossbox, 2 Wide Drawer Dividers, 1 DRAWERGANIZER™ and mounting hardware

## 6J3 GRILLE LAMPS AND SIREN SPEAKER WIRING PROVISIONS

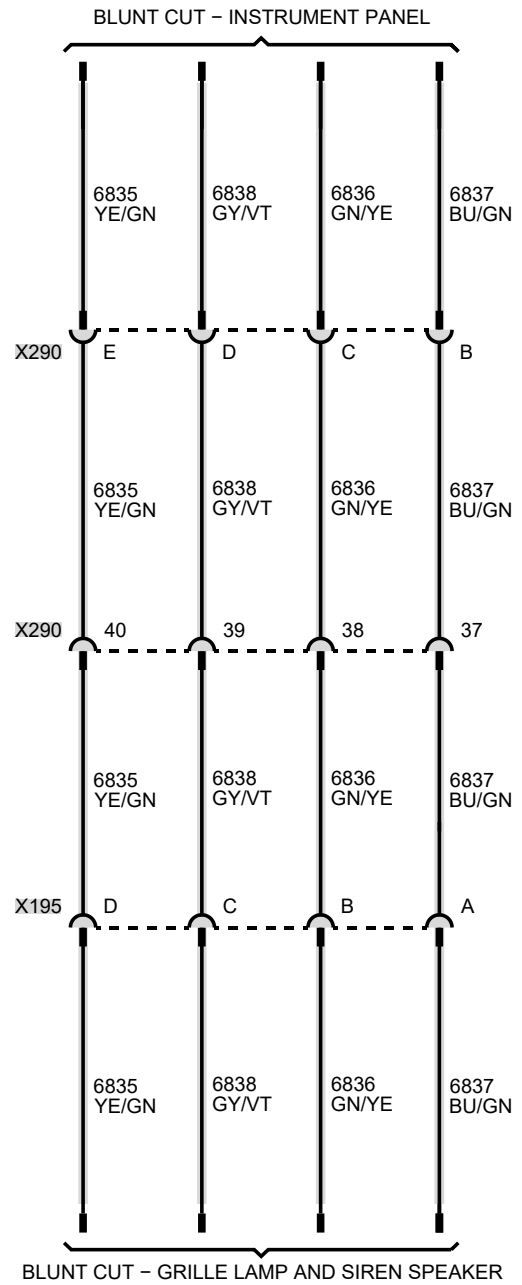
6J3

### GRILLE LAMPS AND SIREN SPEAKER WIRING LOCATION



**NOTES:**

- Wiring connection or splice changes are to be removed before the vehicle is returned to civilian use.
- For wiring diagram see Wiring Section



## 6J4 HORN AND SIREN CONTROL PROVISION

6J4

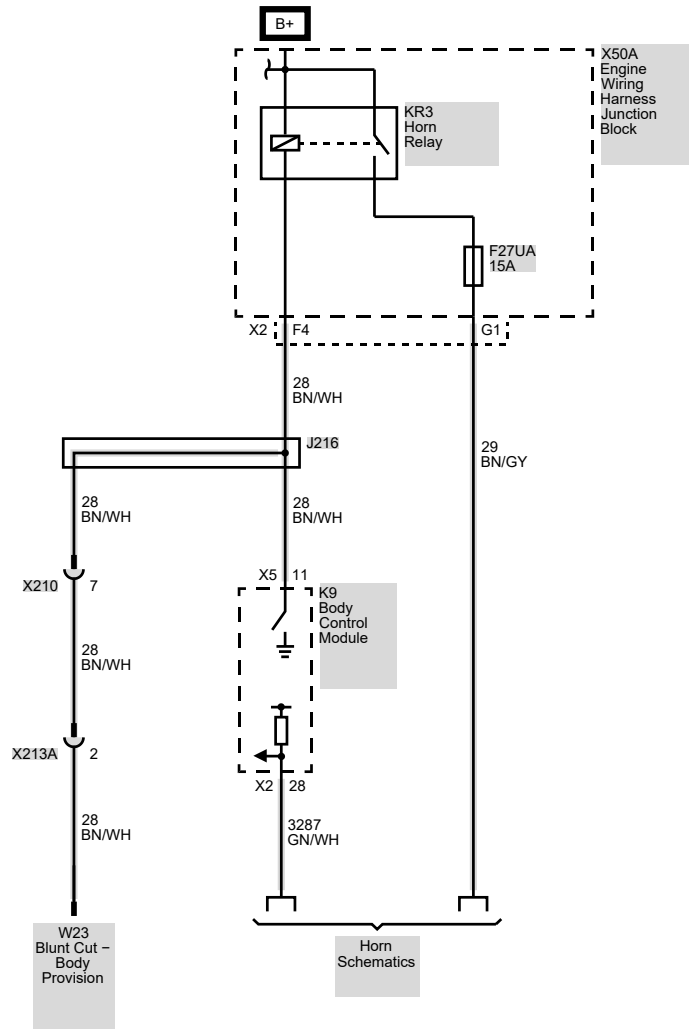
### GRILLE LAMPS AND HORN SIREN WIRING LOCATION



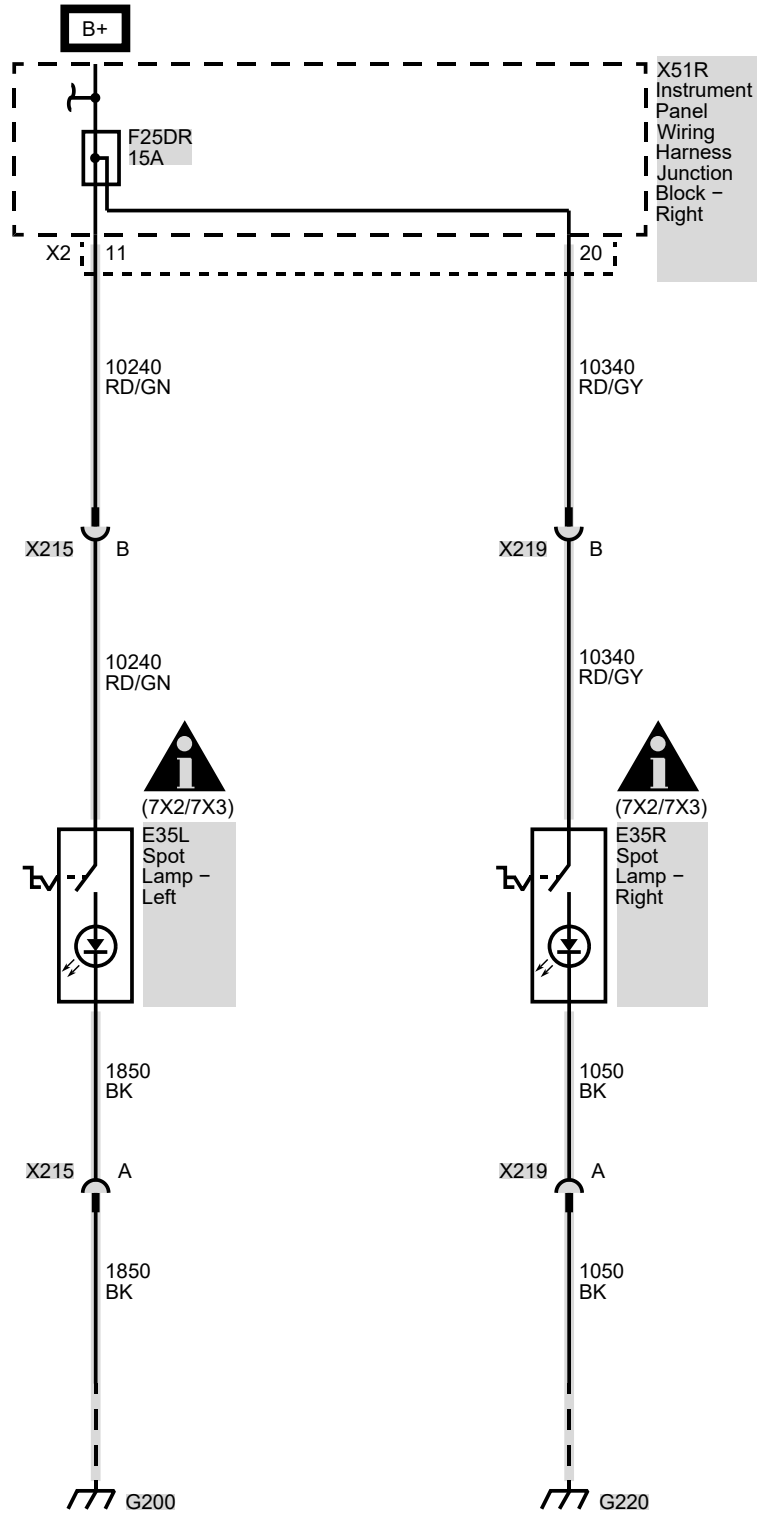
This provision permits customer connection of a switch to select either horn or siren operation when the horn pad is pressed. A 22-gauge (0.35 mm<sup>2</sup>) wire is connected to an in-line connector in the horn circuit of the instrument panel harness under the instrument panel. The end of this harness extension is a 5-foot (1.5 m) loop of wire coiled under the center of the instrument panel.

**NOTES:**

- Wiring connection or splice changes are to be removed before the vehicle is returned to civilian use.
- For wiring diagram see Wiring Section



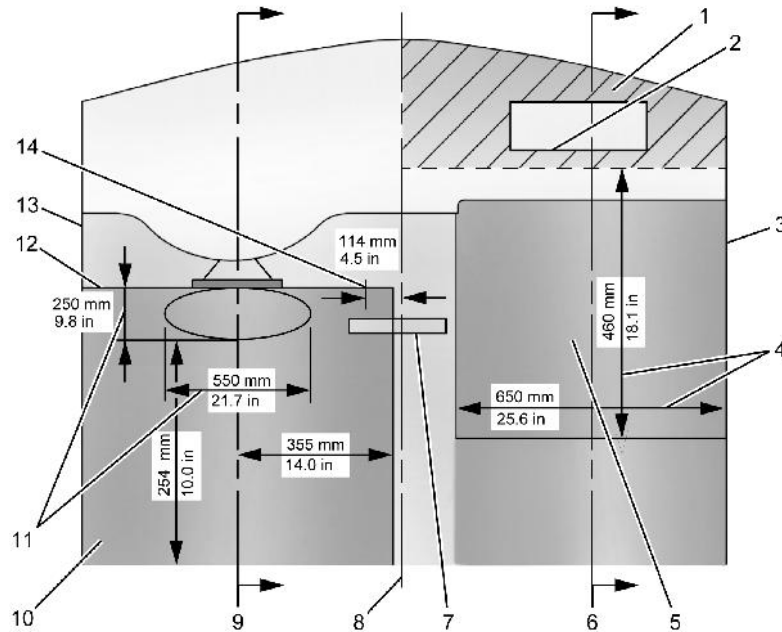
# 7X2/7X3 LED SPOT LAMPS





## AIRBAGS

### INSTRUMENT PANEL TOP VIEW - APPROXIMATE FRONTAL AIRBAG DEPLOYMENT ZONES



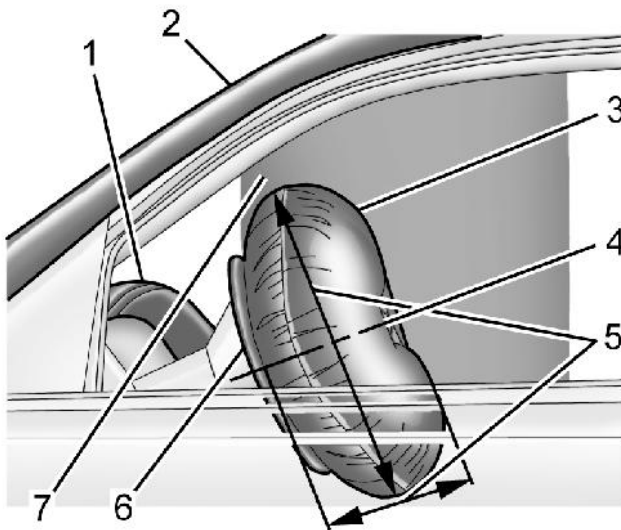
1. Passenger Side Instrument Panel Top Surface Zone
2. Frontal Outboard Passenger Airbag Module Trim Panel – Rear Edge
3. Passenger Side Door
4. Approximate Dimensions of Inflated Airbag
5. Frontal Outboard Passenger Airbag Deployment Zone
6. Passenger Centerline
7. Inside Rearview Mirror
8. Vehicle Centerline
9. Driver Centerline
10. Driver Airbag Deployment Zone
11. Driver Inflated Airbag Dimensions
12. Front of Steering Wheel (See also “Side View of Driver Frontal Airbag Deployment Zone” Following)
13. Driver Side Door
14. Shift Selector Arc

See Customer-Installed Equipment.

Sitting too close to an airbag when it deploys can increase the risk of serious injury or death. Always properly wear your seat belt. See Owner’s Manual for more information

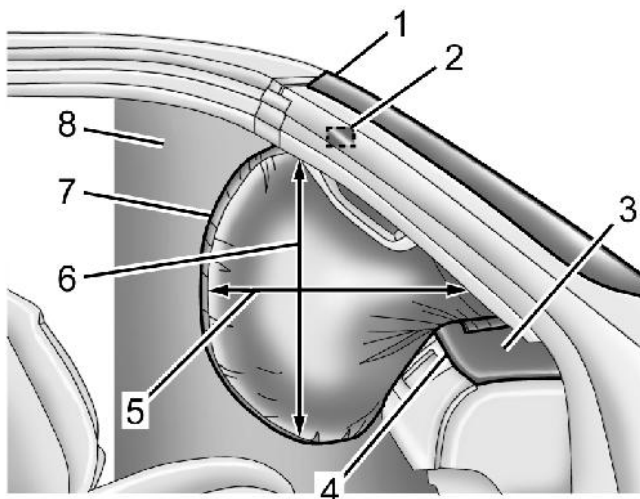
## AIRBAGS

### SIDE VIEW OF DRIVER FRONTAL AIRBAG DEPLOYMENT ZONE



1. Top of Instrument Panel
  2. Top Edge of Windshield
  3. Inflated Airbag - Steering Wheel
  4. Centerline of Steering Column at Mid-Tilt
  5. Driver Inflated Airbag Dimensions (250 mm (9.8 in) From Front of Steering Wheel and 550 mm (21.7 in) Diameter From Center of Steering Wheel)
  6. Front of Steering Wheel
  7. Driver Airbag Deployment Zone Including Inflated Driver Airbag
- See Customer-Installed Equipment.

### SIDE VIEW OF FRONTAL OUTBOARD PASSENGER AIRBAG DEPLOYMENT ZONE

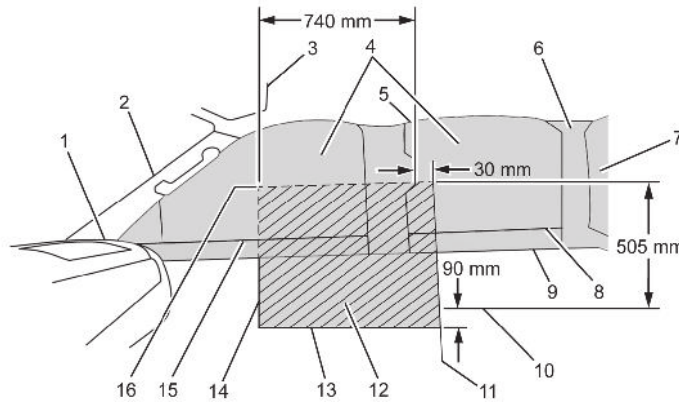


1. Top Edge of Windshield
  2. Inside Rearview Mirror
  3. Instrument Panel Top Surface Zone
  4. Frontal Outboard Passenger Airbag Module Trim Panel - Rear Edge
  5. Inflated Airbag - Horizontal Dimension (Approximately 460 mm (18.1 in))
  6. Inflated Airbag - Vertical Dimension (from Top of Occupants Lap to Headliner)
  7. Inflated Airbag - Instrument Panel
  8. Frontal Outboard Passenger Airbag Deployment Zone
- See Customer-Installed Equipment.

Sitting too close to an airbag when it deploys can increase the risk of serious injury or death. Always properly wear your seat belt. See Owner's Manual for more information

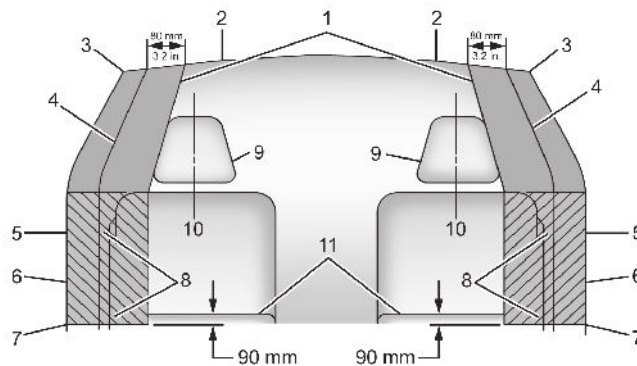
## AIRBAGS

### ROOF-RAIL MOUNTED HEAD-CURTAIN AIRBAG DEPLOYMENT ZONES - PASSENGER SIDE SHOWN, DRIVER SIDE SIMILAR



- |  |  |
|--|--|
| <ol style="list-style-type: none"> <li>1. Front of Deployment Zone at Bottom of Windshield Pillar Trim</li> <li>2. A-Pillar Trim with Grab Handle (Passenger Side)</li> <li>3. Sun Visor</li> <li>4. Roof rail mounted head-curtain Airbag Deployment Zone - Seat Rows 1 and 2 and Cargo Area</li> <li>5. Top of Roof rail mounted head-curtain Airbag Deployment Zone - Along Roof-rail at Edge of Headliner</li> <li>6. C-Pillar Upper Trim</li> <li>7. Rear Window</li> <li>8. Top Edge of Rear Door Trim</li> <li>9. Bottom Edge of Roof rail mounted head-curtain Airbag Deployment Zone at Top of Side Door Armrests</li> <li>10. Top Surface of Front Seat Cushion (with Seat Fully Lowered)</li> </ol> | <ol style="list-style-type: none"> <li>11. Rear Edge of Seat-Mounted Side Impact Airbag Deployment Zone (30 mm (1.2 in) Rearward of Back Edge of B-Pillar Trim Grab Handle)</li> <li>12. Seat-Mounted Side Impact Airbag Deployment Zone</li> <li>13. Bottom Edge of the Seat-Mounted Side Impact Airbag Zone (90 mm (3.5 in) Below Top of Seat Cushion with the Seat Fully Lowered)</li> <li>14. Front Edge of Seat Mounted Side Impact Deployment Zone (740 mm (29.1 in) Forward of Back Edge of B-Pillar Trim Grab Handle)</li> <li>15. Top Edge of Front Door Trim</li> <li>16. Top Edge of Seat-Mounted Side Impact Deployment Zone (505 mm (19.9 in) Above Top Surface of Seat Cushion with the Seat Fully Lowered)</li> </ol> |
|--|--|

### ROOF RAIL MOUNTED HEAD CURTAIN AIRBAG - DRIVER AND OUTBOARD FRONT PASSENGER DEPLOYMENT ZONES - VIEW FROM REAR OF VEHICLE



- |   |  |
|---|--|
| <ol style="list-style-type: none"> <li>1. Roof-Rail Mounted Head-Curtain Airbag Deployment Zone</li> <li>2. Underside of Headliner</li> <li>3. Edge of Headliner</li> <li>4. Inner Center and Rear Pillar Trim</li> <li>5. Inner Front and Rear Door</li> <li>6. Side Door Upper Armrests and Rear Quarter Trim Armrests</li> </ol> | <ol style="list-style-type: none"> <li>7. Bottom Edge of Seat-Mounted Side Impact Airbag Deployment Zone (90 mm (3.3 in) Below Top Surface of Outboard Front Seat Cushion with Seat Fully Lowered)</li> <li>8. Seat-Mounted Side Impact Deployment Zone</li> <li>9. Front Seat Head Restraint</li> <li>10. Seat Centerline</li> <li>11. Top of Seat Cushion</li> </ol> |
|---|--|

Sitting too close to an airbag when it deploys can increase the risk of serious injury or death. Always properly wear your seat belt. See Owner's Manual for more information

## AIRBAGS FAQ

**Q: Can equipment such as radar devices, video cameras, and radio trees be mounted in a specialty vehicle equipped with a right front passenger frontal airbag?**

A: Yes, but care must be taken to properly mount the equipment outside of the airbag "deployment zone."

**Q: What is the airbag "deployment zone"?**

A: The term "deployment zone" describes the space an airbag takes up when fully inflated. Airbags need room to work properly, and anything in the "deployment zone" – such as improperly mounted equipment – can greatly affect the performance of the airbag.

**Q: How can I identify the airbag "deployment zone" in my vehicle?**

A: See Airbag Deployment Diagrams for more information. The diagrams provide the approximate dimensions of the "deployment zones" for your specialty vehicle. Before doing any service work, including the installation of any equipment, consult the appropriate service manual.

**Q: Is it possible to shield equipment so it does not interfere with airbag deployment?**

A: While shielding may protect certain equipment from being damaged or dislodged, it may also negatively affect how an airbag inflates. Therefore, we do not recommend the placement of any equipment in the deployment zone, even if shielded.

**Q: Can the installation of push bumpers on the front end of the vehicle affect the deployment of the airbag?**

A: It is not likely that installing push bumpers will affect deployment for the airbag as long as the vehicle structure itself is not modified. GM is not aware of any adverse defects effect on the deployment of the front airbags due to use of many aftermarket push bumpers installed on current GM police vehicles

See "Adding Equipment to the Airbag-Equipped Vehicle" in the owner manual for more information.

### Customer-Installed Equipment

Before installing equipment, read the following.

Airbags inflate with great force, faster than the blink of an eye. No objects, such as shotguns, should be placed over or near the airbag covers. Equipment mounted too close to an inflating airbag could prevent the airbag from operating properly to protect the occupants or could be forced into an occupant or break and become a dangerous projectile, causing severe injury or even death. To help prevent injury and to allow the airbag to perform as it was designed, do not mount equipment inside the airbag deployment zones.

Do not attach anything to the steering wheel hub or mount any equipment within the deployment zone for the driver airbag.

Do not mount equipment on the passenger side of the instrument panel top pad deployment zone. Equipment should not be mounted on or around the passenger airbag opening because of a deploying airbag. To allow the airbag to perform as it was designed, do not mount equipment inside the airbag deployment zone.

Do not mount a security barrier such that the ends of the barrier or brackets are within the roof-rail airbag deployment zones.

Avoid installing wiring for roof-rail emergency lighting or radio antennas that may restrict the proper deployment of the roof-rail airbags.

GM approved service procedures must be followed to remove and reinstall the instrument panel to the pad to ensure proper airbag deployment.

The police vehicle has a rollover sensor mounted on the centerline of the vehicle between the driver and front outboard passenger positions. If the vehicle has individual front seats, the rollover sensor will be exposed. Do not mount equipment within 25 mm (1 in) of the rollover sensor. This may affect the performance of multiple restraint systems.

Always use seat belts and the correct restraint for your child's age and size, even with airbags. Even in vehicles equipped with the Passenger Sensing System, children are safer when properly secured in a rear seat in the appropriate infant, child or booster seat. Never place a rear-facing infant restraint in the front seat of any vehicle equipped with an active frontal airbag. See the Owner's Manual and the child safety seat instructions for more safety information.

## ONSTAR

**POU<sup>1</sup> ONSTAR ADDITIONAL 9 MONTHS OF ONSTAR FLEET SAFETY AND SECURITY.** Provides up to 9 months of Fleet Safety and Security service in addition to the 3 months of complimentary coverage that is included in the price of the eligible vehicle. Total OnStar Fleet Safety and Security service duration is up to 12 months. Active subscription required. Service availability, features and functionality vary by vehicle, device and the plan you are enrolled in. Terms apply. See [onstar.com](https://onstar.com) for details and limitations. Not available with POJ, POK, POL, POQ, PIR, PIS, PIT, PIU or R7Z

**POJ<sup>1</sup> ONSTAR ADDITIONAL 21 MONTHS OF ONSTAR FLEET SAFETY AND SECURITY.** Provides up to 21 months of Fleet Safety and Security service in addition to the 3 months of complimentary coverage that is included in the price of the eligible vehicle. Total OnStar Fleet Safety and Security service duration is up to 24 months. Active subscription required. Service availability, features and functionality vary by vehicle, device and the plan you are enrolled in. Terms apply. See [onstar.com](https://onstar.com) for details and limitations.

**POK<sup>1</sup> ONSTAR ADDITIONAL 33 MONTHS OF ONSTAR FLEET SAFETY AND SECURITY.** Provides up to 33 months of Fleet Safety and Security service in addition to the 3 months of complimentary coverage that is included in the price of the eligible vehicle. Total OnStar Fleet Safety and Security service duration is up to 36 months. Active subscription required. Service availability, features and functionality vary by vehicle, device and the plan you are enrolled in. Terms apply. See [onstar.com](https://onstar.com) for details and limitations.

**POL<sup>1</sup> ONSTAR ADDITIONAL 45 MONTHS OF ONSTAR FLEET SAFETY AND SECURITY.** Provides up to 45 months of Fleet Safety and Security service in addition to the 3 months of complimentary coverage that is included in the price of the eligible vehicle. Total OnStar Fleet Safety and Security service duration is up to 48 months. Active subscription required. Service availability, features and functionality vary by vehicle, device and the plan you are enrolled in. Terms apply. See [onstar.com](https://onstar.com) for details and limitations.

**POQ<sup>1</sup> ONSTAR ADDITIONAL 57 MONTHS OF ONSTAR FLEET SAFETY AND SECURITY.** Provides up to 57 months of Fleet Safety and Security service in addition to the 3 months of complimentary coverage that is included in the price of the eligible vehicle. Total OnStar Fleet Safety and Security service duration is up to 60 months. Active subscription required. Service availability, features and functionality vary by vehicle, device and the plan you are enrolled in. Terms apply. See [onstar.com](https://onstar.com) for details and limitations.

**POR<sup>1</sup> ONSTAR ADDITIONAL 9 MONTHS OF ONSTAR FLEET DRIVER REMOTE ACCESS.** Provides up to 9 months of Fleet Driver Remote Access service in addition to the 3 months of complimentary coverage that is included in the price of the eligible vehicle. Total OnStar Fleet Driver Remote Access service duration is up to 12 months. Active subscription required. Service availability, features and functionality vary by vehicle, device and the plan you are enrolled in. Terms apply. Remote Access does not include emergency or security services. See [onstar.com](https://onstar.com) for details and limitations.

**POM<sup>1</sup> ONSTAR ADDITIONAL 21 MONTHS OF ONSTAR FLEET DRIVER REMOTE ACCESS.** Provides up to 21 months of Fleet Driver Remote Access service in addition to the 3 months of complimentary coverage that is included in the price of the eligible vehicle. Total OnStar Fleet Driver Remote Access service duration is up to 24 months. Active subscription required. Service availability, features and functionality vary by vehicle, device and the plan you are enrolled in. Terms apply. Remote Access does not include emergency or security services. See [onstar.com](https://onstar.com) for details and limitations.

**PON<sup>1</sup> ONSTAR ADDITIONAL 33 MONTHS OF ONSTAR FLEET DRIVER REMOTE ACCESS.** Provides up to 33 months of Fleet Driver Remote Access service in addition to the 3 months of complimentary coverage that is included in the price of the eligible vehicle. Total OnStar Fleet Driver Remote Access service duration is up to 36 months. Active subscription required. Service availability, features and functionality vary by vehicle, device and the plan you are enrolled in. Terms apply. Remote Access does not include emergency or security services. See [onstar.com](https://onstar.com) for details and limitations.

**POO<sup>1</sup> ONSTAR ADDITIONAL 45 MONTHS OF ONSTAR FLEET DRIVER REMOTE ACCESS.** Provides up to 45 months of Fleet Driver Remote Access service in addition to the 3 months of complimentary coverage that is included in the price of the eligible vehicle. Total OnStar Fleet Driver Remote Access service duration is up to 48 months. Active subscription required. Service availability, features and functionality vary by vehicle, device and the plan you are enrolled in. Terms apply. Remote Access does not include emergency or security services. See [onstar.com](https://onstar.com) for details and limitations.

**POP<sup>1</sup> ONSTAR ADDITIONAL 57 MONTHS OF ONSTAR FLEET DRIVER REMOTE ACCESS.** Provides up to 57 months of Fleet Driver Remote Access service in addition to the 3 months of complimentary coverage that is included in the price of the eligible vehicle. Total OnStar Fleet Driver Remote Access service duration is up to 60 months. Active subscription required. Service availability, features and functionality vary by vehicle, device and the plan you are enrolled in. Terms apply. Remote Access does not include emergency or security services. See [onstar.com](https://onstar.com) for details and limitations.

**PIR<sup>1</sup> ONSTAR ADDITIONAL 9 MONTHS OF ONSTAR FLEET ASSURANCE.** Provides up to 9 months of Fleet Assurance service in addition to the 3 months of complimentary Safety & Security coverage that is included in the price of the eligible vehicle. Total OnStar Safety & Security service duration is up to 3 months and up to 9 months of OnStar Fleet Assurance. OnStar plan, working electrical system, cell reception and GPS signal required. OnStar links to emergency services. See [OnStar.com/BusinessSolutions](https://OnStar.com/BusinessSolutions) for details and limitations.

**PIS<sup>1</sup> ONSTAR ADDITIONAL 21 MONTHS OF ONSTAR FLEET ASSURANCE.** Provides up to 21 months of Fleet Assurance service in addition to the 3 months of complimentary Safety & Security coverage that is included in the price of the eligible vehicle. Total OnStar Safety & Security service duration is up to 3 months and up to 21 months of OnStar Fleet Assurance. OnStar plan, working electrical system, cell reception and GPS signal required. OnStar links to emergency services. See [OnStar.com/BusinessSolutions](https://OnStar.com/BusinessSolutions) for details and limitations.

**PIT<sup>1</sup> ONSTAR ADDITIONAL 33 MONTHS OF ONSTAR FLEET ASSURANCE.** Provides up to 33 months of Fleet Assurance service in addition to the 3 months of complimentary Safety & Security coverage that is included in the price of the eligible vehicle. Total OnStar Safety & Security service duration is up to 3 months and up to 33 months of OnStar Fleet Assurance. OnStar plan, working electrical system, cell reception and GPS signal required. OnStar links to emergency services. See [OnStar.com/BusinessSolutions](https://OnStar.com/BusinessSolutions) for details and limitations.

**PIU<sup>1</sup> ONSTAR ADDITIONAL 45 MONTHS OF ONSTAR FLEET ASSURANCE.** Provides up to 45 months of Fleet Assurance service in addition to the 3 months of complimentary Safety & Security coverage that is included in the price of the eligible vehicle. Total OnStar Safety & Security service duration is up to 3 months and up to 45 months of OnStar Fleet Assurance. OnStar plan, working electrical system, cell reception and GPS signal required. OnStar links to emergency services. See [OnStar.com/BusinessSolutions](https://OnStar.com/BusinessSolutions) for details and limitations.

**R7Z<sup>1</sup> ONSTAR ADDITIONAL 57 MONTHS OF ONSTAR FLEET ASSURANCE.** Provides up to 57 months of Fleet Assurance service in addition to the 3 months of complimentary Safety & Security coverage that is included in the price of the eligible vehicle. Total OnStar Safety & Security service duration is up to 3 months and up to 57 months of OnStar Fleet Assurance. OnStar plan, working electrical system, cell reception and GPS signal required. OnStar links to emergency services. See [OnStar.com/BusinessSolutions](https://OnStar.com/BusinessSolutions) for details and limitations.

**POV<sup>1</sup> ONSTAR VEHICLE INSIGHTS - 1 YEAR OF SERVICE.** Includes 12 months of OnStar Vehicle Insights service. OnStar Vehicle Insights provides fleet managers and drivers the tools and data they need to help maximize fleet productivity and help maximize fleet's operational efficiencies. OnStar Vehicle Insights relays real-time vehicle data like vehicle location, driver performance information and more. Eligible customers must sign up for an account at [www.onstarvehicleinsights.com](https://www.onstarvehicleinsights.com) in order to take advantage of this 12 months offer. Requires an active connected vehicle services plan. The OnStar Vehicle Insights service is included in the price of the vehicle. Total service duration is 12 months. Non-Transferrable. Non-Refundable.

**POW<sup>1</sup> ONSTAR VEHICLE INSIGHTS - 2 YEARS OF SERVICE.** Includes 24 months of OnStar Vehicle Insights service. OnStar Vehicle Insights provides fleet managers and drivers the tools and data they need to help maximize fleet productivity and help maximize fleet's operational efficiencies. OnStar Vehicle Insights relays real-time vehicle data like vehicle location, driver performance information and more. Eligible customers must sign up for an account at [www.onstarvehicleinsights.com](https://www.onstarvehicleinsights.com) in order to take advantage of this 24 months offer. Requires an active connected vehicle services plan. The OnStar Vehicle Insights service is included in the price of the vehicle. Total service duration is 24 months. Non-Transferrable. Non-Refundable.

1. Requires (UEI) OnStar. Requires one of the following Fleet or Government order types: FLS, FNR, FRC, FBC, FGO or FEF. Not available with a ship-to of Guam, Puerto Rico or the Virgin Islands

## ONSTAR

**POX<sup>1</sup> ONSTAR VEHICLE INSIGHTS - 3 YEARS OF SERVICE.** Includes 36 months of OnStar Vehicle Insights service. OnStar Vehicle Insights provides fleet managers and drivers the tools and data they need to help maximize fleet productivity and help maximize fleet's operational efficiencies. OnStar Vehicle Insights relays real-time vehicle data like vehicle location, driver performance information and more. Eligible customers must sign up for an account at [www.onstarvehicleinsights.com](http://www.onstarvehicleinsights.com) in order to take advantage of this 36 months offer. Requires an active connected vehicle services plan. The OnStar Vehicle Insights service is included in the price of the vehicle. Total service duration is 36 months. Non-Transferrable. Non-Refundable.

**POY<sup>1</sup> ONSTAR VEHICLE INSIGHTS - 4 YEARS OF SERVICE.** Includes 48 months of OnStar Vehicle Insights service. OnStar Vehicle Insights provides fleet managers and drivers the tools and data they need to help maximize fleet productivity and help maximize fleet's operational efficiencies. OnStar Vehicle Insights relays real-time vehicle data like vehicle location, driver performance information and more. Eligible customers must sign up for an account at [www.onstarvehicleinsights.com](http://www.onstarvehicleinsights.com) in order to take advantage of this 48 months offer. Requires an active connected vehicle services plan. The OnStar Vehicle Insights service is included in the price of the vehicle. Total service duration is 48 months. Non-Transferrable. Non-Refundable.

**POZ<sup>1</sup> ONSTAR VEHICLE INSIGHTS - 5 YEARS OF SERVICE.** Includes 60 months of OnStar Vehicle Insights service. OnStar Vehicle Insights provides fleet managers and drivers the tools and data they need to help maximize fleet productivity and help maximize fleet's operational efficiencies. OnStar Vehicle Insights relays real-time vehicle data like vehicle location, driver performance information and more. Eligible customers must sign up for an account at [www.onstarvehicleinsights.com](http://www.onstarvehicleinsights.com) in order to take advantage of this 60 months offer. Requires an active connected vehicle services plan. The OnStar Vehicle Insights service is included in the price of the vehicle. Total service duration is 60 months. Non-Transferrable. Non-Refundable.

**R8S<sup>2</sup> ONSTAR IN-VEHICLE COACHING - 1 YEAR OF SERVICE.** In-Vehicle Coaching verbally coaches drivers in real time through the vehicle's audio system to help drivers quickly modify their driving behavior and develop better behind-the-wheel habits Terms Apply. Fees, services, and availability subject to change without notice. Applicable taxes not included. Does not include emergency or security services. Diagnostics capabilities vary by vehicle model. Not all issues will deliver alerts. In-Vehicle Coaching features vary by vehicle model and year. See [onstarvehicleinsights.com](http://onstarvehicleinsights.com) for details and limitations. Non-Transferrable. Non-Refundable.

**RFS<sup>2</sup> ONSTAR IN-VEHICLE COACHING - 2 YEARS OF SERVICE.** In-Vehicle Coaching verbally coaches drivers in real time through the vehicle's audio system to help drivers quickly modify their driving behavior and develop better behind-the-wheel habits Terms Apply. Fees, services, and availability subject to change without notice. Applicable taxes not included. Does not include emergency or security services. Diagnostics capabilities vary by vehicle model. Not all issues will deliver alerts. In-Vehicle Coaching features vary by vehicle model and year. See [onstarvehicleinsights.com](http://onstarvehicleinsights.com) for details and limitations. Non-Transferrable. Non-Refundable.

**RFT<sup>2</sup> ONSTAR IN-VEHICLE COACHING - 3 YEARS OF SERVICE.** In-Vehicle Coaching verbally coaches drivers in real time through the vehicle's audio system to help drivers quickly modify their driving behavior and develop better behind-the-wheel habits Terms Apply. Fees, services, and availability subject to change without notice. Applicable taxes not included. Does not include emergency or security services. Diagnostics capabilities vary by vehicle model. Not all issues will deliver alerts. In-Vehicle Coaching features vary by vehicle model and year. See [onstarvehicleinsights.com](http://onstarvehicleinsights.com) for details and limitations. Non-Transferrable. Non-Refundable.

**RFU<sup>2</sup> ONSTAR IN-VEHICLE COACHING - 4 YEARS OF SERVICE.** In-Vehicle Coaching verbally coaches drivers in real time through the vehicle's audio system to help drivers quickly modify their driving behavior and develop better behind-the-wheel habits Terms Apply. Fees, services, and availability subject to change without notice. Applicable taxes not included. Does not include emergency or security services. Diagnostics capabilities vary by vehicle model. Not all issues will deliver alerts. In-Vehicle Coaching features vary by vehicle model and year. See [onstarvehicleinsights.com](http://onstarvehicleinsights.com) for details and limitations. Non-Transferrable. Non-Refundable.

**RFY<sup>2</sup> ONSTAR IN-VEHICLE COACHING - 5 YEARS OF SERVICE.** In-Vehicle Coaching verbally coaches drivers in real time through the vehicle's audio system to help drivers quickly modify their driving behavior and develop better behind-the-wheel habits Terms Apply. Fees, services, and availability subject to change without notice. Applicable taxes not included. Does not include emergency or security services. Diagnostics capabilities vary by vehicle model. Not all issues will deliver alerts. In-Vehicle Coaching features vary by vehicle model and year. See [onstarvehicleinsights.com](http://onstarvehicleinsights.com) for details and limitations. Non-Transferrable. Non-Refundable.

**PR6<sup>3</sup> SIRIUSXM, ADDITIONAL 9 MONTHS OF THE SXM PLATINUM PLAN.** Listen inside and outside the car on the app in addition to the trial period included with the vehicle.

**PR7<sup>3</sup> SIRIUSXM, ADDITIONAL 21 MONTHS OF THE SXM PLATINUM PLAN.** Listen inside and outside the car on the app in addition to the trial period included with the vehicle

**PR8<sup>3</sup> SIRIUSXM, ADDITIONAL 33 MONTHS OF THE SXM PLATINUM PLAN.** Listen inside and outside the car on the app in addition to the trial period included with the vehicle.

1. Requires (UE1) OnStar. Requires one of the following Fleet or Government order types: FLS, FNR, FRC, FBC, FGO or FEF. Not available with a ship-to of Guam, Puerto Rico or the Virgin Islands 2. Requires (UE1) OnStar and P0V. Requires one of the following Fleet or Government order types: FLS, FNR, FRC, FBC, FGO or FEF. Not available with a ship-to of Guam, Puerto Rico or the Virgin Islands. 3. Requires (U2K) SiriusXM. Requires one of the following Fleet or Government order types: FLS, FNR, FRC, FBC, FGO or FEF. Not available in AK, HI, PR and VI

## MAINTENANCE / LIMITED WARRANTY

<b>SCHEDULED MAINTENANCE</b>	One visit within first year of vehicle delivery <sup>1</sup>
<b>BUMPER-TO-BUMPER LIMITED WARRANTY</b>	3 years/36,000 miles <sup>2</sup> . Bumper-to-Bumper Limited Warranty with no deductible
<b>TRANSFERABLE POWERTRAIN LIMITED WARRANTY</b>	Qualified Fleet Customers: 5 years/100,000 miles <sup>3</sup>
<b>TIRES<sup>4</sup></b>	3 years/36,000 miles <sup>2</sup> ; coverage prorated after first 12,000 miles
<b>ROADSIDE ASSISTANCE AND COURTESY TRANSPORTATION</b>	Qualified Fleet Customers: 5 years/100,000 miles <sup>3</sup>
<b>RUST-THROUGH</b>	6 years/100,000 miles <sup>2</sup>
<b>CORROSION</b>	3 years/36,000 miles <sup>2</sup>
<b>WHEEL ALIGNMENT AND BALANCE</b>	Up to 7,500 miles <sup>6</sup>

**1.** Includes first required maintenance visit as stated in vehicle maintenance schedule. Maintenance visit consists of oil change, tire rotation and Multi-Point Vehicle Inspection. Does not include air filters. See participating dealer for other restrictions and complete details. Excludes vehicles ordered with fleet delete option RY9. **2.** Whichever comes first. See dealer for limited warranty details. **3.** Whichever comes first. A Qualified Fleet User is defined as a company that has purchased and registered or leased five (5) or more new cars/or trucks solely for use in its operation during the current or preceding calendar year, model year, preceding twelve (12) month period, or that owns or leases fifteen (15) or more cars and trucks. Excludes rental customers. See dealer for details. **4.** Tires also covered under the Bumper-to-Bumper limited warranty but are prorated based upon mileage. See dealer for limited warranty details. **5.** If the vehicle has a warrantable failure, see your Owner's Manual for full details on the Courtesy Transportation program. **6.** Customer maintenance item after 7,500 miles.



GM reserves the right to make changes at any time, without notice, in prices, colors, materials, equipment, specifications, models, and availability. Specifications, dimensions, measurements, ratings, and other numbers in this catalog and other printed materials provided at the dealership or affixed to vehicles are approximates based upon design and engineering drawings and prototypes and laboratory tests. Your vehicle may differ due to variations in manufacture and equipment. Since some information may have been updated since the time of printing, please check with your GM dealer for complete details. Some of the equipment shown or described throughout this publication may be available at extra cost, and/or is supplied by an independent supplier.

Copyright 2023 General Motors. All rights reserved. All text, images, graphics, and other materials in this publication are subject to the copyright and other intellectual property rights of General Motors. These materials may not be reproduced, distributed, or modified without the express written permission of General Motors. The marks appearing in this publication including, but not limited to: GM and the GM logo; Chevrolet and their respective logos, emblems, slogans, and vehicle model names and body designs; and other marks such as GM ENVOLVE and Commercial are trademarks and/or service marks of General Motors, its subsidiaries, affiliates, or licensors.

For more detailed information, contact your District Sales Manager or see the online order guide at [gmevolve.com/police](https://gmevolve.com/police).







[Fleet] 2024 Chevrolet Silverado 1500 (CK10543) 4WD Crew Cab 147" Work Truck (3) (✔ Complete)

**Safety-Interior**

Airbags, Dual-stage frontal airbags for driver and front outboard passenger; Seat-mounted side-impact airbags for driver and front outboard passenger; Head-curtain airbags for front and rear outboard seating positions; Includes front outboard Passenger Sensing System for frontal outboard passenger airbag (Always use seat belts and child restraints. Children are safer when properly secured in a rear seat in the appropriate child restraint. See the Owner's Manual for more information.)

OnStar and Chevrolet connected services capable (Terms and limitations apply. See onstar.com or dealer for details.)

HD Rear Vision Camera

Lane Keep Assist with Lane Departure Warning

Following Distance Indicator

Forward Collision Alert

Rear Seat Reminder (Requires Crew Cab or Double Cab model.)

Rear Seat Belt Indicator (Requires Crew Cab or Double Cab model.)

Teen Driver a configurable feature that lets you activate customizable vehicle settings associated with a key fob, to help encourage safe driving behavior. It can limit certain available vehicle features, and it prevents certain safety systems from being turned off. An in-vehicle report card gives you information on driving habits and helps you to continue to coach your new driver

Buckle to Drive prevents vehicle from being shifted out of Park until driver seat belt is fastened; times out after 20 seconds and encourages seat belt use, can be turned on and off in Settings menu

Tire Pressure Monitoring System, auto learn includes Tire Fill Alert (does not apply to spare tire)

3 Years of Remote Access. The Remote Access Plan gives you simplified remote control of your properly equipped vehicle and unlocks a variety of great features in your myChevrolet mobile app. See dealer for details. (Remote Access Plan does not include emergency or security services. See onstar.com for details and limitations. Available on select Apple and Android devices. Service availability, features and functionality vary by vehicle, device, and the plan you are enrolled in. Terms apply. Device data connection required.)

**WARRANTY**

Basic Years: 3

Basic Miles/km: 36,000

Drivetrain Years: 5

Drivetrain Miles/km: 60,000

Drivetrain Note: Silverado TurboMax™ engines, 3.0L & 6.0L Duramax® Turbo-Diesel engines, and certain commercial, government, and qualified fleet vehicles: 5 years/100,000 miles

Corrosion Years (Rust-Through): 6

Corrosion Years: 3

Corrosion Miles/km (Rust-Through): 100,000

Corrosion Miles/km: 36,000

Roadside Assistance Years: 5

Roadside Assistance Miles/km: 60,000

Roadside Assistance Note: Silverado TurboMax™ engines, 3.0L & 6.0L Duramax® Turbo-Diesel engines, and certain commercial, government, and qualified fleet vehicles: 5 years/100,000 miles

Maintenance Note: First Visit: 12 Months/12,000 Miles

This document contains information considered Confidential between GM and its Clients uniquely. The information provided is not intended for public disclosure. Prices, specifications, and availability are subject to change without notice, and do not include certain fees, taxes and charges that may be required by law or vary by manufacturer or region. Performance figures are guidelines only, and actual performance may vary. Photos may not represent actual vehicles or exact configurations. Content based on report preparer's input is subject to the accuracy of the input provided.

Data Version: 21648. Data Updated: Feb 4, 2024 6:39:00 PM PST.